



**SAFETY  
MEIN  
SAMJHOTA  
NAHIN.**



# DIRECTOR'S NOTE

1978 - The year when Precision Pipes was incorporated with a mission and vision to be the lifeline of every building and bring every home to life.

Cut to the present day where, as our tagline would have it, Precision Pipes has become the 'Desh ki lifeline' .

Our journey so far has been all about innovation, understanding the need of the hour and promptly acting upon it, and changing the overall consumer perception about the category with our wide range of products.

We started off with a range of electrical piping systems including Round Conduit uPVC Pipes, G.I. & M.S. Conduit Pipes, uPVC Mini / Maxi Trunking Profile, uPVC Panel Trunking, Corrugated Flexible Conduit Pipes and Fittings.

We've also diversified our offerings so as to cater to a wider audience looking for plumbing piping systems, with our CPVC, ASTM (uPVC), Sewerage Waste and Rainwater (SWR), Agriculture Pipes and Fittings.

To be the 'Desh ki lifeline' , it was imperative for us be connected with the country right from the grassroot level. So we built large scale manufacturing locations at Daman, Bengaluru, & Gujarat.

We've also built a strong distribution network that adheres to national and international standards recognized by leading consultants, architects, construction industries, government departments, defense, railways and automobile industries.

Also, all our products comply with major national and international standards like the ISO 9001: 2015, IS (Indian Standard), BS (British Standard) and CE for Low Voltage Directive.

This has ensured that consumers can buy our products through a dedicated sales network in India as well as in Europe, Middle East, Africa etc.

We've come a long way in our journey so far, but we at Precision Pipes continue to innovate every single day to keep on being 'Saare desh ki lifeline' .

**Kunal S. Kadakia**



<b>ROUND CONDUIT uPVC PIPES &amp; FITTINGS</b>	<b>04</b>
<b>ALL WEATHER BOXES</b>	<b>16</b>
<b>G.I &amp; M.S.CONDUIT PIPES &amp; FITTINGS</b>	<b>19</b>
<b>uPVC MINI/MAXI TRUNKING PROFILE &amp; FITTINGS</b>	<b>23</b>
<b>uPVC PANEL TRUNKING</b>	<b>27</b>
<b>CORRUGATED FLEXIBLE CONDUIT PIPES &amp; FITTINGS</b>	<b>31</b>
<b>CABLE TIES</b>	<b>35</b>
<b>TECHNICAL DATA</b>	<b>38</b>

## **ROUND CONDUIT (uPVC) PIPES & FITTINGS**

### **Precision Round Conduit uPVC Pipes & Fittings**

are manufactured from a specially formulated unplasticated polyvinyl chloride (uPVC) to meet the most stringent Indian and international standards. Our products are made of extra super high impact material which make them safe to use in harsh environments. The products are manufactured in accordance with IS 9537 - Part 3, BS EN 61386-21 for uPVC conduits, IS 3419 : 1988 and BS 4607 for uPVC fittings.







## Applications

Channelising concealed and surface wiring

Telecommunication and cable ducting

### DIMENSIONS OF ROUND CONDUIT uPVC PIPES IS 9537- PART 3

Nominal Size (mm)	Outside Diameter (mm)	Tolerance on Outside Diameter (mm)	Inside Diameter (Min.) (mm)		
			Light	Medium	Heavy
20	20	-0.3	17.4	16.9	15.8
25	25	-0.4	22.1	21.4	20.6
32	32	-0.4	28.6	27.8	26.6
40	40	-0.4	35.8	35.4	34.4
50	50	-0.5	45.1	44.3	43.2
63	63	-0.6	57.0	-	-
<b>#SPECIAL SIZES</b>					
19	19	-0.3	16.5	16.0	15.1

## Features



Various Diameters  
& Grades



Fire Retardant  
& Corrosion Free



Easy and Quick  
Installation



Thermal Resistant  
(-5° C to +60° C)



Durable & Impact  
Resistant



Laser Engraved  
Pipe

- Light, medium and heavy mechanical stress, to suit various applications and site conditions
- Wide range of component maximises application
- Precision circular boxes and adaptable boxes are provided with M4 brass insert with a load suspension capacity of 3 Kgs at +60° C



# ROUND CONDUIT uPVC PIPES (SOCKETED)

HSN: 39172310

IS:9537



Part 3



SR. NO.	PRODUCT CODE	SIZE	STANDARD PACK		NORTH INDIA PACK
		OD (mm)	Pc. x Mtr.	Mtr. / Bdl.	Mtr. / Bdl.
<b>LMS (LIGHT MECHANICAL STRESS)</b>					
# 1	PRCS 19L	19	100 x 3m	300	-
# 2	PRCS 19LNI	19	40 x 3m	-	120
3	PRCS 20L	20	100 x 3m	300	-
4	PRCS 20LNI	20	40 x 3m	-	120
5	PRCS 25L	25	100 x 3m	300	-
6	PRCS 25LNI	25	25 x 3m	-	75
7	PRCS 32L	32	50 x 3m	150	-
8	PRCS 32LNI	32	10 x 3m	-	30
9	PRCS 40L	40	25 x 3m	75	-
10	PRCS 40LNI	40	5 x 3m	-	15
11	PRCS 50L	50	20 x 3m	60	-
12	PRCS 50LNI	50	5 x 3m	-	15
13	PRCS 63L	63	18 x 3m	54	-

SR. NO.	PRODUCT CODE	SIZE	STANDARD PACK		NORTH INDIA PACK
		OD (mm)	Pc. x Mtr.	Mtr. / Bdl.	Mtr. / Bdl.
<b>HMS (HEAVY MECHANICAL STRESS)</b>					
# 26	PRCS 19H	19	100 x 3m	300	-
# 27	PRCS 19HNI	19	40 x 3m	-	120
28	PRCS 20H	20	100 x 3m	300	-
29	PRCS 20HNI	20	40 x 3m	-	120
30	PRCS 25H	25	50 x 3m	150	-
31	PRCS 25HNI	25	25 x 3m	-	75
32	PRCS 32H	32	50 x 3m	150	-
33	PRCS 32HNI	32	10 x 3m	-	30
34	PRCS 40H	40	25 x 3m	75	-
35	PRCS 40HNI	40	5 x 3m	-	15
36	PRCS 50H	50	20 x 3m	60	-
37	PRCS 50HNI	50	5 x 3m	-	15

SR. NO.	PRODUCT CODE	SIZE	STANDARD PACK		NORTH INDIA PACK
		OD (mm)	Pc. x Mtr.	Mtr. / Bdl.	Mtr. / Bdl.
<b>MMS (MEDIUM MECHANICAL STRESS)</b>					
# 14	PRCS 19M	19	100 x 3m	300	-
# 15	PRCS 19MNI	19	40 x 3m	-	120
16	PRCS 20M	20	100 x 3m	300	-
17	PRCS 20MNI	20	40 x 3m	-	120
18	PRCS 25M	25	100 x 3m	300	-
19	PRCS 25MNI	25	25 x 3m	-	75
20	PRCS 32M	32	50 x 3m	150	-
21	PRCS 32MNI	32	10 x 3m	-	30
22	PRCS 40M	40	25 x 3m	75	-
23	PRCS 40MNI	40	5 x 3m	-	15
24	PRCS 50M	50	20 x 3m	60	-
25	PRCS 50MNI	50	5 x 3m	-	15



# ROUND CONDUIT uPVC PIPES (SOCKETED)

FRLS | CE



SR. NO.	PRODUCT CODE	SIZE	STANDARD PACK		NORTH INDIA PACK
		OD (mm)	Pc. x Mtr.	Mtr. / Bdl.	Mtr. / Bdl.
<b>MMS (MEDIUM MECHANICAL STRESS)</b>					
38	PFRL 20MS	20	50 x 3m	150	-
39	PFRL 20MSNI	20	50 x 3m	-	150
40	PFRL 25MS	25	50 x 3m	150	-
41	PFRL 25MSNI	25	50 x 3m	-	150

SR. NO.	PRODUCT CODE	SIZE	STANDARD PACK		NORTH INDIA PACK
		OD (mm)	Pc. x Mtr.	Mtr. / Bdl.	Mtr. / Bdl.
<b>HMS (HEAVY MECHANICAL STRESS)</b>					
42	PFRL 20HS	20	50 x 3m	150	-
43	PFRL 20HSNI	20	50 x 3m	-	150
44	PFRL 25HS	25	50 x 3m	150	-
45	PFRL 25HSNI	25	50 x 3m	-	150

SR. NO.	PRODUCT CODE	SIZE	STANDARD PACK		NORTH INDIA PACK
		OD (mm)	Pc. x Mtr.	Mtr. / Bdl.	Mtr. / Bdl.
# 46	PRCS19SPL	19x1mm	100 x 3m	300	-
# 47	PRCS19SPLNL	19x1mm	40 x 3m	-	120
# 48	PRCS20SPL	19x1mm	100 x 3m	300	-
# 49	PRCS20SPLNL	19x1mm	40 x 3m	-	120
# 50	PRCS25SPL	19x1mm	100 x 3m	300	-
# 51	PRCS25SPLNL	19x1mm	25 x 3m	-	75

# Special Size

# ROUND CONDUIT uPVC PIPE FITTINGS

HSN: 39174000

## CIRCULAR BOX WITHOUT LID



### CIRCULAR BOX

SR. NO.	PRODUCT CODE	SIZE	STANDARD PACK	
		OD (mm)	Pc./Box	Pc./Carton
52	PRCB 191	19	20	600
53	PRCB 201	20	20	600
54	PRCB 251	25	15	450
55	PRCB 321	32	10	160
56	PRCB 401	40	10	160
57	PRCB 501	50	5	80

**TERMINAL - 1 WAY**



### CIRCULAR BOX

SR. NO.	PRODUCT CODE	SIZE	STANDARD PACK	
		OD (mm)	Pc./Box	Pc./Carton
70	PRCB 193	19	20	400
71	PRCB 203	20	20	400
72	PRCB 253	25	15	300
73	PRCB 323	32	10	160
74	PRCB 403	40	10	160
75	PRCB 503	50	5	80

**TEE - 3 WAY**



### CIRCULAR BOX

SR. NO.	PRODUCT CODE	SIZE	STANDARD PACK	
		OD (mm)	Pc./Box	Pc./Carton
58	PRCB 192A	19	20	400
59	PRCB 202A	20	20	400
60	PRCB 252A	25	15	300
61	PRCB 322A	32	10	160
62	PRCB 402A	40	10	160
63	PRCB 502A	50	5	80

**ANGLE - 2 WAY**



### CIRCULAR BOX

SR. NO.	PRODUCT CODE	SIZE	STANDARD PACK	
		OD (mm)	Pc./Box	Pc./Carton
76	PRCB 194	19	20	400
77	PRCB 204	20	20	400
78	PRCB 254	25	15	240
79	PRCB 324	32	10	160
80	PRCB 404	40	10	160
81	PRCB 504	50	5	80

**INTERSECTION - 4 WAY**



### CIRCULAR BOX

SR. NO.	PRODUCT CODE	SIZE	STANDARD PACK	
		OD (mm)	Pc./Box	Pc./Carton
64	PRCB 192S	19	20	400
65	PRCB 202S	20	20	400
66	PRCB 252S	25	15	300
67	PRCB 322S	32	10	160
68	PRCB 402S	40	10	160
69	PRCB 502S	50	5	80

**THROUGH - 2 WAY**



### DEEP CIRCULAR BOX

SR. NO.	PRODUCT CODE	SIZE	STANDARD PACK	
		OD (mm)	Pc./Box	Pc./Carton
82	PRCB 191D	19	10	280
83	PRCB 201D	20	10	280
84	PRCB 251D	25	10	280
85	PRCB 321D	32	10	280

**TERMINAL - 1 WAY**

# ROUND CONDUIT uPVC PIPE FITTINGS

HSN: 39174000

## CIRCULAR BOX WITHOUT LID



### DEEP CIRCULAR BOX



SR. NO.	PRODUCT CODE	SIZE	STANDARD PACK	
		OD (mm)	Pc./Box	Pc./Carton
86	PRCB 192AD	19	10	280
87	PRCB 202AD	20	10	280
88	PRCB 252AD	25	10	280
89	PRCB 322AD	32	10	220

ANGLE - 2 WAY

### DEEP CIRCULAR BOX



SR. NO.	PRODUCT CODE	SIZE	STANDARD PACK	
		OD (mm)	Pc./Box	Pc./Carton
98	PRCB 194D	19	10	220
99	PRCB 204D	20	10	220
100	PRCB 254D	25	10	220
101	PRCB 324D	32	10	160

INTERSECTION - 4 WAY

### DEEP CIRCULAR BOX



SR. NO.	PRODUCT CODE	SIZE	STANDARD PACK	
		OD (mm)	Pc./Box	Pc./Carton
90	PRCB 192SD	19	10	200
91	PRCB 202SD	20	10	200
92	PRCB 252SD	25	10	200
93	PRCB 322SD	32	10	200

THROUGH - 2 WAY

### CIRCULAR BOX



SR. NO.	PRODUCT CODE	SIZE	STANDARD PACK	
		OD (mm)	Pc./Box	Pc./Carton
102	PRCB 19U	19	20	400
103	PRCB 20U	20	20	400
104	PRCB 25U	25	20	400

BRANCH - 2 WAY (U)

### DEEP CIRCULAR BOX



SR. NO.	PRODUCT CODE	SIZE	STANDARD PACK	
		OD (mm)	Pc./Box	Pc./Carton
94	PRCB 193D	19	10	220
95	PRCB 203D	20	10	220
96	PRCB 253D	25	10	220
97	PRCB 323D	32	10	160

TEE - 3 WAY

### CIRCULAR BOX



SR. NO.	PRODUCT CODE	SIZE	STANDARD PACK	
		OD (mm)	Pc./Box	Pc./Carton
105	PRCB 19Y	19	20	400
106	PRCB 20Y	20	20	320
107	PRCB 25Y	25	15	300

BRANCH - 3 WAY (Y)

Also available in Red and Green.

# ROUND CONDUIT uPVC PIPE FITTINGS

HSN: 39174000

## CIRCULAR BOX WITHOUT LID



### CIRCULAR BOX

SR. NO.	PRODUCT CODE	SIZE	STANDARD PACK	
		OD (mm)	Pc./Box	Pc./Carton
108	PRCB 19H	19	15	300
109	PRCB 20H	20	15	300
110	PRCB 25H	25	15	300

**BRANCH - 4 WAY (H)**



### CIRCULAR BOX

SR. NO.	PRODUCT CODE	SIZE	STANDARD PACK	
		OD (mm)	Pc./Box	Pc./Carton
117	PRCB 203 BO	20	20	400
118	PRCB 253 BO	25	15	300

**BACK OUTLET TEE - 3 WAY**



### CIRCULAR BOX

SR. NO.	PRODUCT CODE	SIZE	STANDARD PACK	
		OD (mm)	Pc./Box	Pc./Carton
111	PRCB 201 BO	20	20	400
112	PRCB 251 BO	25	15	300

**BACK OUTLET - 1 WAY**



### CIRCULAR LID

SR. NO.	PRODUCT CODE	SIZE	STANDARD PACK	
		OD (mm)	Pc./Box	Pc./Carton
119	PRCL65	65	100	2000
120	PRCL80	80	100	2000
121	PRCL85	85	100	2000
122	PRCL90	90	100	1800
123	PRCL93	93	25	750
124	PRCL110	110	50	900

**WITH SCREW**



### CIRCULAR BOX

SR. NO.	PRODUCT CODE	SIZE	STANDARD PACK	
		OD (mm)	Pc./Box	Pc./Carton
113	PRCB 202S BO	20	20	400
114	PRCB 252S BO	25	15	300

**BACK OUTLET THROUGH - 2 WAY**



### CIRCULAR LID

SR. NO.	PRODUCT CODE	SIZE	STANDARD PACK	
		OD (mm)	Pc./Box	Pc./Carton
125	PRCL65WS	65	100	2000
126	PRCL80WS	80	100	2000
127	PRCL85WS	85	100	2000
128	PRCL90WS	90	100	1800
129	PRCL93WS	93	25	750
130	PRCL110WS	110	50	900

**WITHOUT SCREW**



### CIRCULAR BOX

SR. NO.	PRODUCT CODE	SIZE	STANDARD PACK	
		OD (mm)	Pc./Box	Pc./Carton
115	PRCB 202A BO	20	20	400
116	PRCB 252A BO	25	15	300

**BACK OUTLET ANGLE - 2 WAY**

» 65 - For 19/20/25mm JB, DJB & 32 DJB

» 80 - For 32/40mm JB

~ 93 - For 50mm JB

# ROUND CONDUIT uPVC PIPE FITTINGS

HSN: 39174000

## CIRCULAR BOX WITH LID & SCREW



### CIRCULAR BOX

SR. NO.	PRODUCT CODE	SIZE	STANDARD PACK	
		OD (mm)	Pc./Box	Pc./Carton
131	PRCB 191L	19	20	600
132	PRCB 201L	20	20	600
133	PRCB 251L	25	15	450
134	PRCB 321L	32	10	160
135	PRCB 401L	40	10	160
136	PRCB 501L	50	5	80

**TERMINAL - 1 WAY**



### CIRCULAR BOX

SR. NO.	PRODUCT CODE	SIZE	STANDARD PACK	
		OD (mm)	Pc./Box	Pc./Carton
149	PRCB 193L	19	20	400
150	PRCB 203L	20	20	400
151	PRCB 253L	25	15	300
152	PRCB 323L	32	5	110
153	PRCB 403L	40	5	110
154	PRCB 503L	50	5	80

**TEE - 3 WAY**



### CIRCULAR BOX

SR. NO.	PRODUCT CODE	SIZE	STANDARD PACK	
		OD (mm)	Pc./Box	Pc./Carton
137	PRCB 192AL	19	20	400
138	PRCB 202AL	20	20	400
139	PRCB 252AL	25	15	300
140	PRCB 322AL	32	10	160
141	PRCB 402AL	40	10	160
142	PRCB 502AL	50	5	80

**ANGLE - 2 WAY**



### CIRCULAR BOX

SR. NO.	PRODUCT CODE	SIZE	STANDARD PACK	
		OD (mm)	Pc./Box	Pc./Carton
155	PRCB 194L	19	20	320
156	PRCB 204L	20	20	320
157	PRCB 254L	25	15	240
158	PRCB 324L	32	5	110
159	PRCB 404L	40	5	110
160	PRCB 504L	50	5	80

**INTERSECTION - 4 WAY**



### CIRCULAR BOX

SR. NO.	PRODUCT CODE	SIZE	STANDARD PACK	
		OD (mm)	Pc./Box	Pc./Carton
143	PRCB 192SL	19	20	400
144	PRCB 202SL	20	20	400
145	PRCB 252SL	25	15	300
146	PRCB 322SL	32	10	160
147	PRCB 402SL	40	10	160
148	PRCB 502SL	50	5	80

**THROUGH - 2 WAY**

## DEEP CIRCULAR BOX WITH LID & SCREW

### DEEP CIRCULAR BOX



SR. NO.	PRODUCT CODE	SIZE	STANDARD PACK	
		OD (mm)	Pc./Box	Pc./Carton
161	PRCB 191DL	19	10	280
162	PRCB 201DL	20	10	280
163	PRCB 251DL	25	10	280
164	PRCB 321DL	32	10	280

**TERMINAL - 1 WAY**

Also available in Red and Green.



# ROUND CONDUIT uPVC PIPE FITTINGS

HSN: 39174000



## DEEP CIRCULAR BOX WITH LID & SCREW



### DEEP CIRCULAR BOX



SR. NO.	PRODUCT CODE	SIZE	STANDARD PACK	
		OD (mm)	Pc./Box	Pc./Carton
165	PRCB 192ADL	19	10	280
166	PRCB 202ADL	20	10	280
167	PRCB 252ADL	25	10	280
168	PRCB 322ADL	32	10	220

ANGLE - 2 WAY

### CIRCULAR BOX



SR. NO.	PRODUCT CODE	SIZE	STANDARD PACK	
		OD (mm)	Pc./Box	Pc./Carton
181	PRCB 19UL	19	20	400
182	PRCB 20UL	20	20	400
183	PRCB 25UL	25	20	400

BRANCH - 2 WAY (U)

### DEEP CIRCULAR BOX



SR. NO.	PRODUCT CODE	SIZE	STANDARD PACK	
		OD (mm)	Pc./Box	Pc./Carton
169	PRCB 192SDL	19	10	200
170	PRCB 202SDL	20	10	200
171	PRCB 252SDL	25	10	200
172	PRCB 322SDL	32	10	200

THROUGH - 2 WAY

### CIRCULAR BOX



SR. NO.	PRODUCT CODE	SIZE	STANDARD PACK	
		OD (mm)	Pc./Box	Pc./Carton
184	PRCB 19YL	19	15	300
185	PRCB 20YL	20	20	320
186	PRCB 25YL	25	15	300

BRANCH - 3 WAY (Y)

### DEEP CIRCULAR BOX



SR. NO.	PRODUCT CODE	SIZE	STANDARD PACK	
		OD (mm)	Pc./Box	Pc./Carton
173	PRCB 193DL	19	10	220
174	PRCB 203DL	20	10	220
175	PRCB 253DL	25	10	220
176	PRCB 323DL	32	10	160

TEE - 3 WAY

### CIRCULAR BOX



SR. NO.	PRODUCT CODE	SIZE	STANDARD PACK	
		OD (mm)	Pc./Box	Pc./Carton
187	PRCB 19HL	19	15	300
188	PRCB 20HL	20	15	300
189	PRCB 25HL	25	15	300

BRANCH - 4 WAY (H)

### DEEP CIRCULAR BOX



SR. NO.	PRODUCT CODE	SIZE	STANDARD PACK	
		OD (mm)	Pc./Box	Pc./Carton
177	PRCB 194DL	19	10	220
178	PRCB 204DL	20	10	220
179	PRCB 254DL	25	10	220
180	PRCB 324DL	32	10	160

INTERSECTION - 4 WAY

### CIRCULAR BOX



SR. NO.	PRODUCT CODE	SIZE	STANDARD PACK	
		OD (mm)	Pc./Box	Pc./Carton
190	PRCB 201 BOL	20	20	400
191	PRCB 251 BOL	25	15	300

BACK OUTLET - 1 WAY

# ROUND CONDUIT uPVC PIPE FITTINGS

HSN: 39174000



## CIRCULAR BOX

SR. NO.	PRODUCT CODE	SIZE	STANDARD PACK	
		OD (mm)	Pc./Box	Pc./Carton
192	PRCB 202S BOL	20	15	300
193	PRCB 252S BOL	25	15	240

BACK OUTLET THROUGH - 2 WAY



## CIRCULAR BOX

SR. NO.	PRODUCT CODE	SIZE	STANDARD PACK	
		OD (mm)	Pc./Box	Pc./Carton
194	PRCB 202A BOL	20	15	300
195	PRCB 252A BOL	25	15	240

BACK OUTLET ANGLE - 2 WAY



## CIRCULAR BOX

SR. NO.	PRODUCT CODE	SIZE	STANDARD PACK	
		OD (mm)	Pc./Box	Pc./Carton
196	PRCB 203 BOL	20	15	300
197	PRCB 253 BOL	25	15	240

BACK OUTLET TEE - 3 WAY

## PP CIRCULAR BOX WITH LID & SCREW



## CIRCULAR BOX

SR. NO.	PRODUCT CODE	SIZE	STANDARD PACK	
		OD (mm)	Pc./Box	Pc./Carton
198	PPCB194L	19	20	320
199	PPCB254L	25	15	240

INTERSECTION - 4 WAY (POLYPROPYLENE)

## PP DEEP CIRCULAR BOX WITH LID & SCREW



## DEEP CIRCULAR BOX

SR. NO.	PRODUCT CODE	SIZE	STANDARD PACK	
		OD (mm)	Pc./Box	Pc./Carton
200	PPCB194DL	19	10	220
201	PPCB254DL	25	10	220

INTERSECTION - 4 WAY (POLYPROPYLENE)



## CIRCULAR EXTENSION RING

SR. NO.	PRODUCT CODE	SIZE	STANDARD PACK	
		OD (mm)	Pc./Box	Pc./Carton
202	PRER 20	20	50	800
203	PRER 25	25	40	640



## LOOP IN BOX

SR. NO.	PRODUCT CODE	SIZE	STANDARD PACK	
		OD (mm)	Pc./Box	Pc./Carton
204	PRLB 19	19 (4 punch)	20	400
205	PRLB 20	20 (4 punch)	20	400
206	PRLB 25	25 (2 punch)	20	400



## LOOP IN BOX EXTENSION

SR. NO.	PRODUCT CODE	SIZE	STANDARD PACK	
		OD (mm)	Pc./Box	Pc./Carton
207	PRLB 20E	20	24	384

Also available in Black, Grey and Ivory.

# ROUND CONDUIT uPVC PIPE FITTINGS

HSN: 39174000



## COUPLER

SR. NO.	PRODUCT CODE	SIZE	STANDARD PACK	
		OD (mm)	Pc./Box	Pc./Carton
208	PCR 19	19	100	2000
209	PCR 20	20	100	2000
210	PCR 20 L	20 Long	150	2400
211	PCR 25	25	100	2000
212	PCR 32	32	60	960
213	PCR 40	40	30	480
214	PCR 50	50	20	320



## SLIP TYPE LONG BEND

SR. NO.	PRODUCT CODE	SIZE	STANDARD PACK	
		OD (mm)	Pc./Box	Pc./Carton
229	PRBL 20	20	45	720
230	PRBL 25	25	20	320
231	PRBL 32	32	10	160
232	PRBL 40	40	-	80
233	PRBL 50	50	-	55



## REDUCER COUPLER

SR. NO.	PRODUCT CODE	SIZE	STANDARD PACK	
		OD (mm)	Pc./Box	Pc./Carton
215	PRR1	25 > 20	250	4000

(PIPE TO FITTING)



## SPACE BAR SADDLE

SR. NO.	PRODUCT CODE	SIZE	STANDARD PACK	
		OD (mm)	Pc./Box	Pc./Carton
234	PRBS 19	19	100	2000
235	PRBS 20	20	100	2000
236	PRBS 25	25	100	2000
237	PRBS 32	32	100	1600
238	PRBS 40	40	80	1280
239	PRBS 50	50	60	960
240	PRBS 63	63	-	50



## REDUCER COUPLER

SR. NO.	PRODUCT CODE	SIZE	STANDARD PACK	
		OD (mm)	Pc./Box	Pc./Carton
216	PRR 2520	25 > 20	70	1400
217	PRR 3220	32 > 20	60	1200
218	PRR 3225	32 > 25	40	800
219	PRR 4020	40 > 20	48	960
220	PRR 4032	40 > 32	32	640
221	PRR 5032	50 > 32	30	480
222	PRR 5040	50 > 40	30	480

(PIPE TO PIPE)



## SADDLE STRAP

SR. NO.	PRODUCT CODE	SIZE	STANDARD PACK	
		OD (mm)	Pc./Box	Pc./Carton
241	PRSS 19	19	100	2000
242	PRSS 20	20	100	2000
243	PRSS 25	25	100	2000
244	PRSS 32	32	100	1600
245	PRSS 40	40	80	1280
246	PRSS 50	50	60	960



## SLIP TYPE BEND

SR. NO.	PRODUCT CODE	SIZE	STANDARD PACK	
		OD (mm)	Pc./Box	Pc./Carton
223	PRBN 19	19	65	1040
224	PRBN 20	20	65	1040
225	PRBN 25	25	35	560
226	PRBN 32	32	20	320
227	PRBN 40	40	10	160
228	PRBN 50	50	5	80



## SELF LOCKING SADDLE CLIP

SR. NO.	PRODUCT CODE	SIZE	STANDARD PACK	
		OD (mm)	Pc./Box	Pc./Carton
247	PPSC20SL	20	75	450
248	PPSC25SL	25	50	300

(POLYPROPYLENE)

# ROUND CONDUIT uPVC PIPE FITTINGS

HSN: 39174000



## ROUND 'U' CLIP



SR. NO.	PRODUCT CODE	SIZE	STANDARD PACK	
		OD (mm)	Pc./Box	Pc./Carton
249	PRUC 20	20	200	4000
250	PRUC 25	25	100	3000

## END CAP



SR. NO.	PRODUCT CODE	SIZE	STANDARD PACK	
		OD (mm)	Pc./Box	Pc./Carton
251	PREC 20	20	150	3000
252	PREC 25	25	100	2000
253	PREC 32	32	70	1400
254	PREC 40	40	32	640
255	PREC 50	50	24	480

## MALE BUSH ADAPTOR



SR. NO.	PRODUCT CODE	SIZE	STANDARD PACK	
		OD (mm)	Pc./Box	Pc./Carton
256	PMBA 19	19	100	2000
257	PMBA 20	20	100	2000
258	PMBA 25	25	100	2000

## FEMALE BUSH ADAPTOR



SR. NO.	PRODUCT CODE	SIZE	STANDARD PACK	
		OD (mm)	Pc./Box	Pc./Carton
259	PFBA 19	19	100	2000
260	PFBA 20	20	100	2000
261	PFBA 25	25	100	2000
262	PFBA 32	32	75	1200
263	PFBA 40	40	50	800
264	PFBA 50	50	25	400

## ROUND ELBOW



SR. NO.	PRODUCT CODE	SIZE	STANDARD PACK	
		OD (mm)	Pc./Box	Pc./Carton
265	PRE 20	20	125	2500
266	PRE 25	25	75	1200
267	PRE 32	32	20	400
268	PRE 40	40	15	300
269	PRE 50	50	10	200

## ROUND TEE



SR. NO.	PRODUCT CODE	SIZE	STANDARD PACK	
		OD (mm)	Pc./Box	Pc./Carton
270	PRT 20	20	50	1500
271	PRT 25	25	50	800
272	PRT 32	32	15	300
273	PRT 40	40	10	200
274	PRT 50	50	10	160

## INSPECTION ELBOW



SR. NO.	PRODUCT CODE	SIZE	STANDARD PACK	
		OD (mm)	Pc./Box	Pc./Carton
275	PIE 20	20	20	600
276	PIE 25	25	20	400

## INSPECTION TEE



SR. NO.	PRODUCT CODE	SIZE	STANDARD PACK	
		OD (mm)	Pc./Box	Pc./Carton
277	PIT 20	20	20	600
278	PIT 25	25	20	400

## INSPECTION BEND



SR. NO.	PRODUCT CODE	SIZE	STANDARD PACK	
		OD (mm)	Pc./Box	Pc./Carton
279	PIB 20	20	20	600
280	PIB 25	25	20	400

## ADAPTABLE BOX WITH LID



SR. NO.	PRODUCT CODE	SIZE	STANDARD PACK	
		OD (mm)	Pc./Box	Pc./Carton
△ 281	PAB 75L	3" x 3" x 2"	10	200
		75x75x50		
◇ 282	PAB 110L	4" x 4" x 3"	-	100
		110x110x75		
283	PAB 160L	6" x 4" x 3"	-	75
		160x110x75		
284	PAB 160SL	6" x 6" x 3"	-	50
		160x160x75		
285	PAB 225SL	9" x 9" x 3"	-	20
		225x225x75		

△ 32/38/40mm Knockout Available ◇ 50mm Knockout Available

# ROUND CONDUIT UPVC PIPE FITTINGS

HSN: 39174000



## SURFACE SWITCH BOX



SR. NO.	PRODUCT CODE	SIZE	STANDARD PACK	
		OD (mm)	Pc./Box	Pc./Carton
* 286	PSB1	3" x 3"	10	300
* 287	PSB2	6" x 3"	10	200

\* 20mm Knockout Available

(WHITE)

## SWITCH BOX LID



SR. NO.	PRODUCT CODE	SIZE	STANDARD PACK	
		OD (mm)	Pc./Box	Pc./Carton
288	PSBL1 LID	3" x 3"	40	1200
289	PSBL2 LID	6" x 3"	25	750

(WHITE)

## FLUSH MOUNTED



SR. NO.	PRODUCT CODE	SIZE	STANDARD PACK	
		OD (mm)	Pc./Box	Pc./Carton
* 290	PFSB1	3" x 3" x 2"	10	200
* 291	PFSB2	6" x 3" x 2"	10	160

\* 20/25 Knockout Available

(SWITCH BOX)

## FAN BOX



SR. NO.	PRODUCT CODE	SIZE	STANDARD PACK	
		OD (mm)	Pc./Box	Pc./Carton
292	PRFB20	20 Standard	10	220
293	PRFB25	25 Standard	10	220
294	PRFB20SL	20 Large	10	140
295	PRFB25SL	25 Large	10	140
296	PRFBRD2025	20/25 with Rod	1	28
297	PRFBRD25	25 with Rod	1	28

(BLACK)



## METAL FAN BOX



SR. NO.	PRODUCT CODE	SIZE	STANDARD PACK	
		OD (mm)	Pc./Box	Pc./Carton
* 298	PMFB 2025	20/25	2	40

WITH ROD (BROWN)

HSN : 73072900

\* 25mm Four Sockets & 20mm Three Knockouts

## METAL FAN BOX



SR. NO.	PRODUCT CODE	SIZE	STANDARD PACK	
		OD (mm)	Pc./Box	Pc./Carton
€ 299	PMFB 2525	25/25	2	40

WITH ROD (BROWN)

HSN : 73072900

€ 25mm Seven Knockouts

## UPVC SOLVENT CEMENT



SR. NO.	PRODUCT CODE	SIZE (ml)	Colour	STANDARD PACK	
				Pc./Box	Pc./Carton
300	PSC100 ML	100ml	Transparent	24	144
301	PSC250 ML	250ml	Transparent	24	96
302	PSC500 ML	500ml	Transparent	12	48
303	PSC1L	1L	Transparent	6	24
304	PSC5L	5L	Transparent	-	6

HSN: 35061000

## PVC ELECTRICAL INSULATION TAPE



SR. NO.	PRODUCT CODE	SIZE	STANDARD PACK	
		W(mm)xL(Mtr)	Pc./Box	Pc./Carton
305	PPIT 18	18x6	30	540

HSN : 85469090

## BENDING SPRING

HSN : 73201019



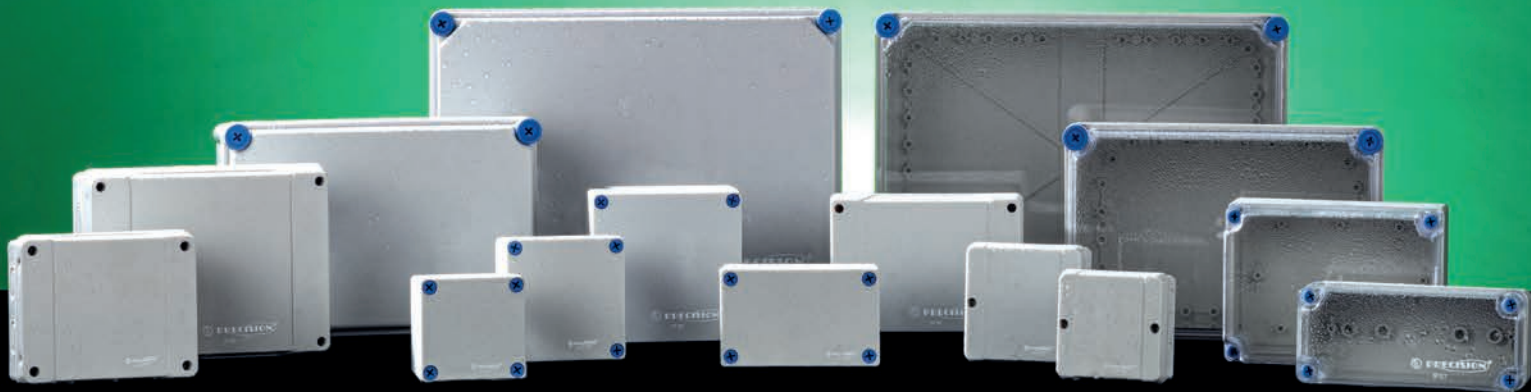
SR. NO.	PRODUCT CODE	SIZE OD (mm)	COLOUR	STANDARD PACK	
				Pc./Bag	Pc./Carton
<b>LIGHT GAUGE</b>					
306	PBS20L	20	Black	10	50
307	PBS25L	25	Black	5	30
<b>MEDIUM GAUGE</b>					
308	PBS20M	20	Silver	10	50
309	PBS25M	25	Silver	5	30
<b>HEAVY GAUGE</b>					
310	PBS20H	20	Gold	10	50
311	PBS25H	25	Gold	5	30

○ Suitable for 19mm LMS and 19mm MMS conduits also.



## ALL WEATHER BOXES

**Precision All Weather Boxes** are manufactured from high quality impact resistant Engineering Thermoplastics (Polycarbonate / ABS). The material itself is self-extinguishing and our specially developed formulation gives it special ability to withstand high temperatures. The product passes stringent IP 67 standard requirements which makes it suitable to use indoor and outdoor in harsh environment. Our specially made design gives it highest level of safety from unwanted ingress of oil / water / any other solid waste.







## Applications

Enclosure boxes for electrical installations.

Suitable for Outdoor / Indoor environment

## Features

- IP 67 compliance, suitable for Outdoor Installations (CIPET tested)
- Specially formulated Engineering Thermoplastic (Polycarbonate / ABS) gives temperature protection ranging from  $-40^{\circ}\text{C}$  to  $+90^{\circ}\text{C}$
- Weatherproof, Dust proof and Impact resistant
- Transparent lids ensure enhanced visibility
- Innovative design makes compatible for various types of Switchgears / Electrical components
- Body part with adequate molded markings for easy cable entry location from all sides
- Various sizes available as per individual choice
- Screws supplied are made up of anti-rust SS / Engineering Plastic for corrosion free working and durability as well



# ALL WEATHER BOXES

IP 67 HSN: 85381010



## ALL WEATHER BOXES OPAQUE LID WITH KNOCKOUT (ABS)

Sr No.	Product Code	Size (mm)	Standard Pack (Pc/Carton)
312	PAB 8888OL	88 x 88 x 53	27
313	PAB 9898OL	98 x 98 x 61	24
314	PAB 139119OL	139 x 119 x 70	10
315	PAB 167125OL	167 x 125 x 82	12
316	PAB 200160OL	200 x 160 x 98	8

## ALL WEATHER BOXES OPAQUE LID WITHOUT KNOCKOUT (ABS)



Sr No.	Product Code	Size (mm)	Standard Pack (Pc/Carton)
317	PAB 8383OL	83 x 83 x 65	21
318	PAB 100100OL	100 x 100 x 65	21
319	PAB 13080OL	130 x 80 x 65	16
320	PAB 130130OL	130 x 130 x 80	16
321	PAB 18080OL	180 x 80 x 90	12
322	PAB 1801OL	180 x 130 x 75	16
323	PAB 1802OL	180 x 130 x 100	12
324	PAB 180180OL	180 x 180 x 100	20
325	PAB 210190OL	210 x 190 x 100	6
326	PAB 27080OL	270 x 80 x 90	12
327	PAB 280190OL	280 x 190 x 130	4
328	PAB 280280OL	280 x 280 x 130	2
329	PAB 380190OL	380 x 190 x 130	3
330	PAB 380280OL	380 x 280 x 130	2
331	PAB 560380OL	560 x 380 x 180	2

## ALL WEATHER BOXES TRANSPARENT LID WITHOUT KNOCKOUT (ABS)



Sr No.	Product Code	Size (mm)	Standard Pack (Pc/Carton)
332	PAB 18080TL	180 x 80 x 90	12
333	PAB 27080TL	270 x 80 x 90	12
334	PAB 180130TL	180 x 130 x 100	12
335	PAB 180180TL	180 x 180 x 100	20
336	PAB 210190TL	210 x 190 x 130	6
337	PAB 280190TL	280 x 190 x 130	4
338	PAB 280280TL	280 x 280 x 130	2
339	PAB 380190TL	380 x 190 x 130	3
340	PAB 380280TL	380 x 280 x 130	2
341	PAB 560380TL	560 x 380 x 180	2

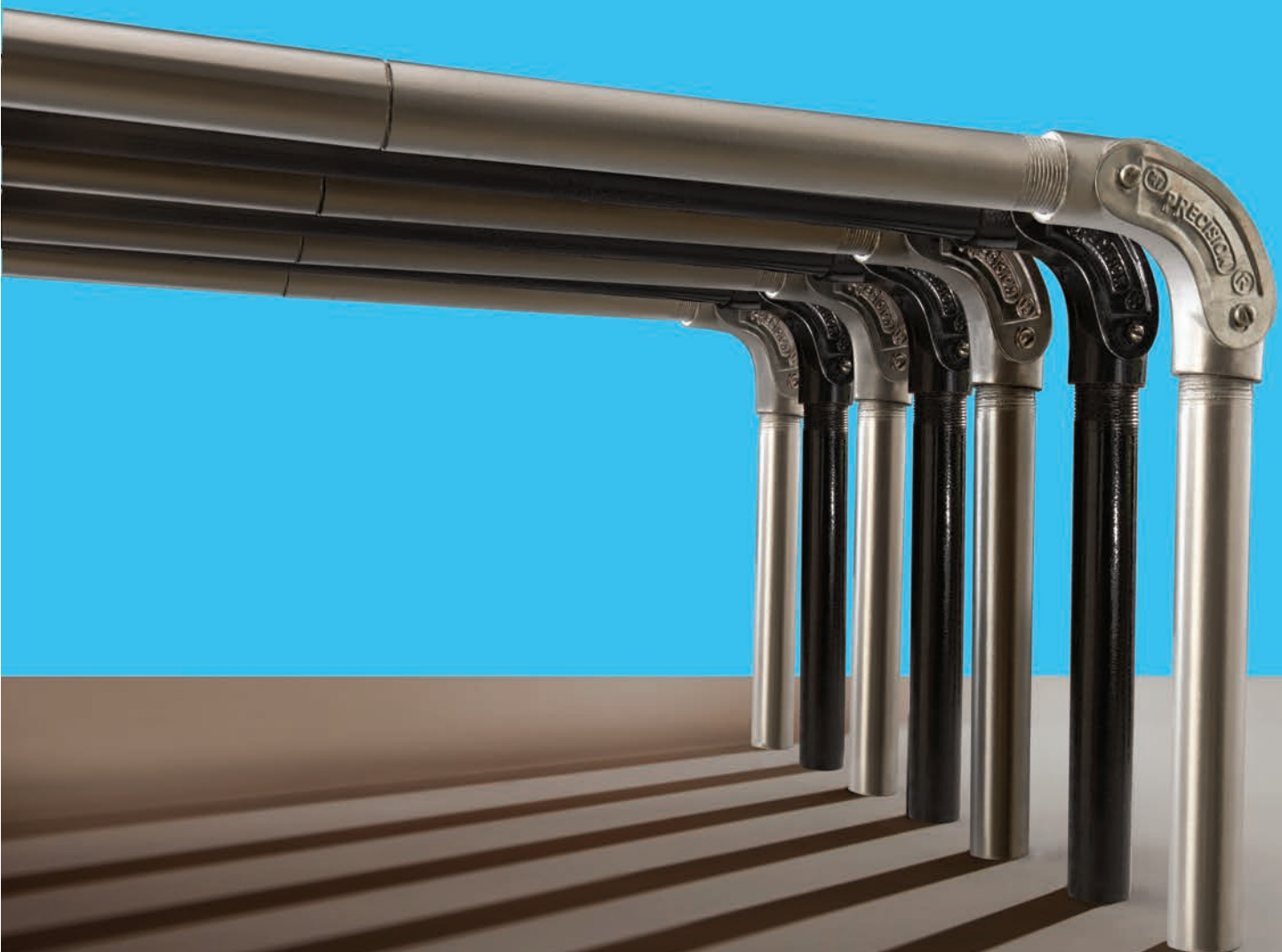
## PG GLANDS (PP)



Sr No.	Product Code	Size (mm)	Standard Pack (Pc/Carton)
342	PPPG 7GL	7	600
343	PPPG 9GL	9	320
344	PPPG 11GL	11	240
345	PPPG 13.5GL	13.5	300
346	PPPG 16GL	16	240
347	PPPG 19GL	19	180
348	PPPG 21GL	21	120
349	PPPG 25GL	25	120

## G.I & M.S. CONDUIT PIPES & FITTINGS

**Precision G.I & M.S. Conduit Pipes** are manufactured from rigorously tested raw material, in accordance with IS 9537 Part- 2. G.I. Conduit Pipes are coated at a hot dipped galvanising plant in which iron or steel is coated with a layer of zinc. This coating makes the conduit safe and durable for industrial installations, coastal line atmosphere & thermal power stations. M.S. Conduit Pipes are treated and coated with paint.





## Applications

Channelising electrical surface wiring and cable ducting

### DIMENSIONS OF G.I. & M.S CONDUIT PIPES

Nominal Size (mm)	Outside Diameter (mm)	Tolerance on Outside Diameter (mm)	Wall Thickness (mm)	Wall Thickness Tolerance (mm)
20	20	0 -0.3	1.4 - 1.6	±0.2
25	25	0 -0.4	1.4 - 1.6	±0.2
32	32	0 -0.4	1.4 - 1.6	±0.2
40	40	0 -0.4	1.6 - 2.0	+0.2 -0.4
50	50	0 -0.5	1.6 - 2.0	+0.2 -0.4

## Features



Anti - Rust Coat



Good Finish



Easy to Cut



High Resistance  
to Corrosion



# G.I. & M.S. CONDUIT PIPE

HSN: 73069090

IS: 9537



Part-2



## G.I. CONDUIT PIPES



SR. NO.	PRODUCT CODE	SIZE	STANDARD PACK	
		OD (mm)	Pc./Mtr	Mtr./Bdl.
350	PGIC 20	20	26 x 3m	78
351	PGIC 25	25	21 x 3m	63
352	PGIC 32	32	16 x 3m	48
353	PGIC 40	40	10 x 3m	30
354	PGIC 50	50	5 x 3m	15

- COLOUR: SILVER

## M.S. CONDUIT PIPES



SR. NO.	PRODUCT CODE	SIZE	STANDARD PACK	
		OD (mm)	Pc./Mtr	Mtr./Bdl.
355	PMSC 20	20	26 x 3m	78
356	PMSC 25	25	21 x 3m	63
357	PMSC 32	32	16 x 3m	48
358	PMSC 40	40	10 x 3m	30
359	PMSC 50	50	5 x 3m	15

- COLOUR: BLACK

# G.I & M.S. CONDUIT PIPE FITTINGS

HSN: 73269099

## CIRCULAR BOX WITH LID & SCREW



### G.I. CIRCULAR BOX



SR. NO.	PRODUCT CODE	SIZE	STANDARD PACK	
		OD (mm)	Pc./Box	Pc./Carton
360	PGIB 201	20	20	200
361	PGIB 251	25	20	200

TERMINAL - 1 WAY (SCREW TYPE)

### M.S. CIRCULAR BOX



SR. NO.	PRODUCT CODE	SIZE	STANDARD PACK	
		OD (mm)	Pc./Box	Pc./Carton
366	PMSB 202S	20	20	200
367	PMSB 252S	25	20	200

THROUGH - 2 WAY (SCREW TYPE)

### M.S. CIRCULAR BOX



SR. NO.	PRODUCT CODE	SIZE	STANDARD PACK	
		OD (mm)	Pc./Box	Pc./Carton
362	PMSB 201	20	20	200
363	PMSB 251	25	20	200

TERMINAL - 1 WAY (SCREW TYPE)

### G.I. CIRCULAR BOX



SR. NO.	PRODUCT CODE	SIZE	STANDARD PACK	
		OD (mm)	Pc./Box	Pc./Carton
368	PGIB 203	20	20	200
369	PGIB 253	25	20	200

TEE - 3 WAY (SCREW TYPE)

### G.I. CIRCULAR BOX



SR. NO.	PRODUCT CODE	SIZE	STANDARD PACK	
		OD (mm)	Pc./Box	Pc./Carton
364	PGIB 202S	20	20	200
365	PGIB 252S	25	20	200

THROUGH - 2 WAY (SCREW TYPE)

### M.S. CIRCULAR BOX



SR. NO.	PRODUCT CODE	SIZE	STANDARD PACK	
		OD (mm)	Pc./Box	Pc./Carton
370	PMSB 203	20	20	200
371	PMSB 253	25	20	200

TEE - 3 WAY (SCREW TYPE)

# G.I & M.S. CONDUIT PIPE FITTINGS

HSN: 73269099

## CIRCULAR BOX WITH LID & SCREW



### G.I. CIRCULAR BOX

SR. NO.	PRODUCT CODE	SIZE	STANDARD PACK	
		OD (mm)	Pc./Box	Pc./Carton
372	PGIB 204	20	20	200
373	PGIB 254	25	20	200

INTERSECTION - 4 WAY (SCREW TYPE)



### M.S. INSPECTION BEND

SR. NO.	PRODUCT CODE	SIZE	STANDARD PACK	
		OD (mm)	Pc./Box	Pc./Carton
378	PMS 20IBS	20	20	200
379	PMS 25IBS	25	20	200

(SCREW TYPE)



### M.S. CIRCULAR BOX

SR. NO.	PRODUCT CODE	SIZE	STANDARD PACK	
		OD (mm)	Pc./Box	Pc./Carton
374	PMSB 204	20	20	200
375	PMSB 254	25	20	200

INTERSECTION - 4 WAY (SCREW TYPE)



### M.S. NORMAL BEND

SR. NO.	PRODUCT CODE	SIZE	STANDARD PACK	
		OD (mm)	Pc./Box	Pc./Carton
380	PMS 20NBS	20	12	144
381	PMS 25NBS	25	12	144

(SCREW TYPE)



### G.I. INSPECTION BEND

SR. NO.	PRODUCT CODE	SIZE	STANDARD PACK	
		OD (mm)	Pc./Box	Pc./Carton
376	PGI 20IBS	20	20	200
377	PGI 25IBS	25	20	200

(SCREW TYPE)



### G.I. NORMAL BEND

SR. NO.	PRODUCT CODE	SIZE	STANDARD PACK	
		OD (mm)	Pc./Box	Pc./Carton
382	PGI 20NBS	20	12	144
383	PGI 25NBS	25	12	144

(SCREW TYPE)





## (uPVC) MINI/MAXI TRUNKING PROFILE & FITTINGS

### Precision uPVC Mini/Maxi Trunking Profile & Fittings

are manufactured from high impact unplasticised polyvinyl chloride (uPVC) grade material capable of withstanding the most hazardous conditions on-site and exceeds the most stringent requirements of Indian and International standards.

The product range brings a whole new world of sophistication and convenience to home, office and commercial establishments and is in accordance with Indian Standard IS 14927 - Part 2 and BS EN 50085 -2-1. Mini Trunking Profile are also available with self-fixing tape for instant and easy installation. Clip on lid provides security while allowing easy maintenance.

Precision uPVC Maxi Trunking Profile Cable Management System is designed for convenience and safety with compartments for separate wiring applications.

Maxi Trunking Profile Fittings are available in moulded and fabricated form, thus adding a sleek touch to your interiors.

### Applications

To organize and protect cables on surface

### Features

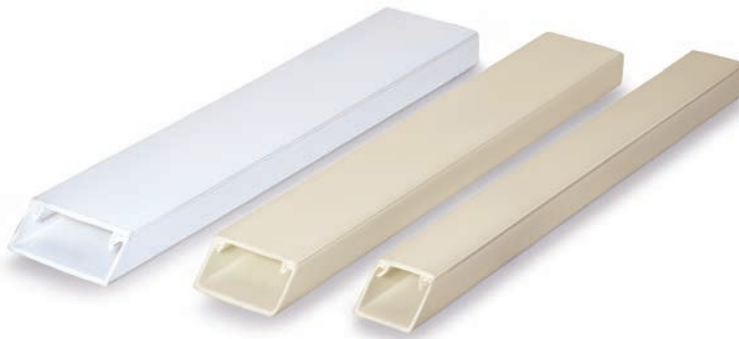


# uPVC MINI / MAXI TRUNKING PROFILE

HSN: 39162019



## uPVC MINI TRUNKING PROFILE



SR. NO.	PRODUCT CODE	SIZE (WxH)	STANDARD PACK	
		(mm)	Pc./Mtr	Mtr / Bdl
384	PT2012	20 x 12	100 x 2m	200
385	PT2512	25 x 12	100 x 2m	200
386	PT3015	30 x 15	100 x 2m	200
387	PT3212	32 x 12	100 x 2m	200
388	PT 3212SPL	32 x 12	100 x 2m	200
389	PT1616	16 x 16	100 x 2m	200
390	PT2516	25 x 16	100 x 2m	200
391	PT 2516SPL	25 x 16	100 x 2m	200
392	PT3216	32 x 16	100 x 2m	200
393	PT3816	38 x 16	50 x 2m	100
394	PT3825	38 x 25	50 x 2m	100
395	PT3838	38 x 38	25 x 2m	50
396	PT5016	50 x 16	50 x 2m	100

(IVORY/WHITE)

## uPVC MAXI TRUNKING PROFILE



SR. NO.	PRODUCT CODE	SIZE (WxH)	STANDARD PACK	
		(mm)	Pc./Mtr	Mtr / Bdl
397	PT5050	50 x 50	20 x 2m	40
398	PT7550	75 x 50	12 x 2m	24
399	PT7575	75 x 75	9 x 2m	18
400	PT10050	100 x 50	10 x 2m	20
401	PT100100	100 x 100	6 x 2m	12
402	PT15050	150 x 50	5 x 2m	10
403	PT150100	150 x 100	4 x 2m	8

(WHITE)

# UPVC MINI / MAXI TRUNKING PROFILE FITTINGS (MOULDED)

HSN: 39174000



## COUPLER



SR. NO.	PRODUCT CODE	SIZE (W x H) (mm)	STANDARD PACK Pc./Box
404	PTC 2012	20 x 12	100
405	PTC 2512	25 x 12	100
406	PTC 3212	32 x 12	100
407	PTC 1616	16 x 16	100
408	PTC 3816	38 x 16	50
409	PTC 3825	38 x 25	50

## EXTERNAL BEND



SR. NO.	PRODUCT CODE	SIZE (W x H) (mm)	STANDARD PACK Pc. Box
427	PTE 2512	25 x 12	100
428	PTE 3212	32 x 12	100
429	PTE 1616	16 x 16	100
430	PTE 3816	38 x 16	100
431	PTE 3825	38 x 25	50

## ELBOW



SR. NO.	PRODUCT CODE	SIZE (W x H) (mm)	STANDARD PACK Pc./Box
410	PTB 2012	20 x 12	100
411	PTB 2512	25 x 12	100
412	PTB 3212	32 x 12	100
413	PTB 1616	16 x 16	100
414	PTB 3816	38 x 16	100
415	PTB 3825	38 x 25	100

## 4 - WAY



SR. NO.	PRODUCT CODE	SIZE (W x H) (mm)	STANDARD PACK Pc./Box
432	PTW3212	32 x 12	50

## TEE



SR. NO.	PRODUCT CODE	SIZE (W x H) (mm)	STANDARD PACK Pc./Box
416	PTT 2012	20 x 12	100
417	PTT 2512	25 x 12	50
418	PTT 3212	32 x 12	50
419	PTT 1616	16 x 16	100
420	PTT 3816	38 x 16	50
421	PTT 3825	38 x 25	50

## JUNCTION LINKER



SR. NO.	PRODUCT CODE	SIZE (W x H)	STANDARD PACK	
		(mm)	Pc./Box	Pc./Carton
433	PTJL7575	Standard	35	560

(POLY PROPYLENE)

## INTERNAL BEND



SR. NO.	PRODUCT CODE	SIZE (W x H) (mm)	STANDARD PACK Pc./Box
422	PTI 2512	25 x 12	100
423	PTI 3212	32 x 12	100
424	PTI 1616	16 x 16	100
425	PTI 3816	38 x 16	100
426	PTI 3825	38 x 25	50

## SURFACE SWITCH BOX



SR. NO.	PRODUCT CODE	SIZE (W x H)	STANDARD PACK	
		(mm)	Pc./Box	Pc./Carton
434	PTSB1	3"x3" (W)	10	300
435	PTSB2	6"x3" (W)	10	200

- TRUNKING KNOCKOUT

\$ 16 x 16, 25 x 16 Knockout Available (W) - White

# UPVC MINI / MAXI TRUNKING PROFILE FITTINGS (FABRICATED)

HSN: 39174000



## ELBOW



SR. NO.	PRODUCT CODE	SIZE (W x H) (mm)	STANDARD PACK Pc./Bag
436	PMTL50	50 x 50	5
437	PMTL751	75 x 50	5
438	PMTL752	75 x 75	5
439	PMTL1001	100 x 50	5
440	PMTL1002	100 x 100	5
441	PMTL1501	150 x 50	5

## EXTERNAL ANGLE



SR. NO.	PRODUCT CODE	SIZE (W x H) (mm)	STANDARD PACK Pc./Bag
454	PMTE50	50 x 50	5
455	PMTE751	75 x 50	5
456	PMTE752	75 x 75	5
457	PMTE1001	100 x 50	5
458	PMTE1002	100 x 100	5
459	PMTE1501	150 x 50	5

## TEE



SR. NO.	PRODUCT CODE	SIZE (W x H) (mm)	STANDARD PACK Pc./Bag
442	PMTT50	50 x 50	5
443	PMTT751	75 x 50	5
444	PMTT752	75 x 75	5
445	PMTT1001	100 x 50	5
446	PMTT1002	100 x 100	5
447	PMTT1501	150 x 50	5

## END CAP



SR. NO.	PRODUCT CODE	SIZE (W x H) (mm)	STANDARD PACK Pc./Bag
460	PFTC50	50 x 50	5
461	PFTC751	75 x 50	5
462	PFTC752	75 x 75	5
463	PFTC1001	100 x 50	5
464	PFTC1002	100 x 100	5
465	PFTC1501	150 x 50	5

## INTERNAL ANGLE



SR. NO.	PRODUCT CODE	SIZE (W x H) (mm)	STANDARD PACK Pc./Bag
448	PMTI50	50 x 50	5
449	PMTI751	75 x 50	5
450	PMTI752	75 x 75	5
451	PMTI1001	100 x 50	5
452	PMTI1002	100 x 100	5
453	PMTI1501	150 x 50	5



**PRECISION**<sup>®</sup>

Pipes | Dosh ki Lifeline



## uPVC PANEL TRUNKING

**Precision uPVC Panel Trunking** is manufactured from high impact unplasticised polyvinyl chloride (uPVC) to ensure panel & machinery safety in extreme conditions. These trunkings are ideal to channelise medium, big size panels & various applications where economy, space saving, safety and durability are paramount.





## Applications

To conduct, organise and protect cables inside electrical and telecommunication panels, industrial machinery wiring, computer LAN wiring and data centers

## Features



Fire Retardant



Thermal Resistant  
(-5° C to +60° C)

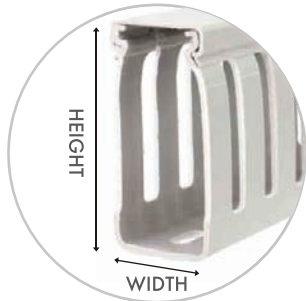


High Tensile Strength  
(390kg/cm<sup>2</sup>)

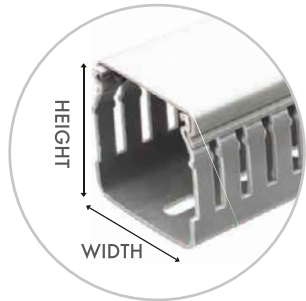
- Non - brittle, wrap proof
- Vertical slides and detachable strips facilitates systematic wiring, permits faster connections, additions and fault tracing of wires
- Avoids bunching, taping and provides complete electrical insulation
- Unique cover locking design prevents popping of wires while removing cover
- Elongated slots at bottom allows flexible mounting



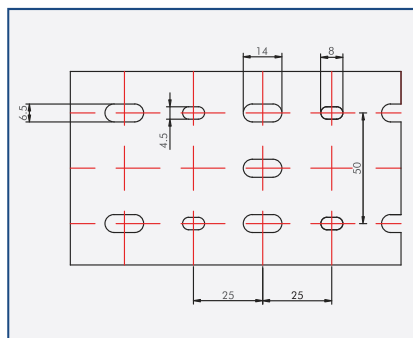
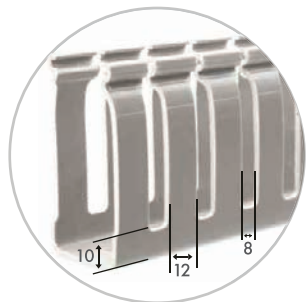




STANDARD SLOT



THIN SLOT



For Panel Trunking  
75 X 75, 100 X 75, 100 X 100  
All Dimensions are in (mm)

## Optimal grip lid

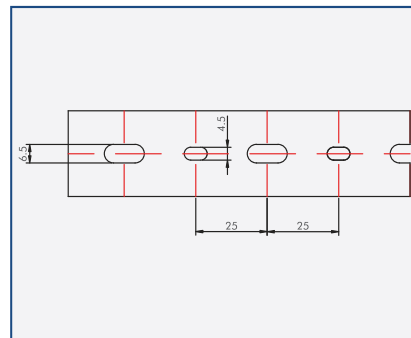
- Precision's Panel Trunking Lid design provides high capacity to sustain leads of wire in the case of a cable positioned in the centre of the duct and avoids them from riding up.
- Quick snap on/off non-slip assembly forms a firm & rigid channel.
- Interlocking lid and channel is optimised to make the system easier to install and to provide discrete routing of cables.
- Uniform grip and thickness throughout the length system with independent non-slip lid, keeps cover in place during high vibration applications.

## Wall perforation rib design

- All wall perforation ribs of Precision Panel Trunking have larger rounded slots for easy insertion of wires and cables.
- Rounded design with burr - free edges to prevent any injury to the hand of the user or to the cable insulation.

## Elongated mounting slots

- Perforated base with elongated slot allow flexible mounting and better fastening of the cables.
- Robust sections.



For Panel Trunking  
15 X 15, 25 X 25, 30 X 25,  
45 X 25, 45 X 45, 45 X 60,  
60 X 25, 60 X 45, 60 X 60

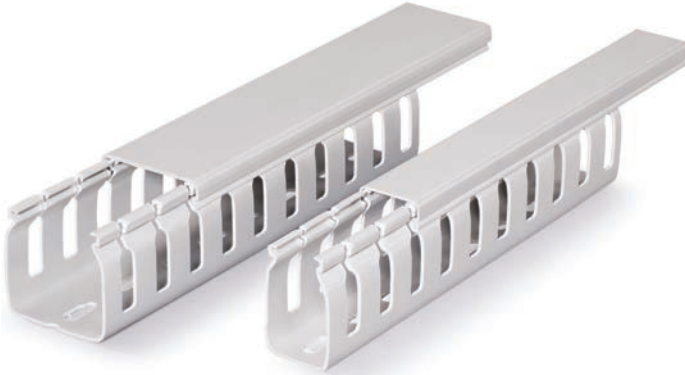
# UPVC PANEL TRUNKING

HSN: 85381010

≈ FRLS | CE



## UPVC PANEL TRUNKING



SR. NO.	PRODUCT CODE	SIZE	STANDARD PACK	
		H x W(mm)	Pc/Mtr	Mtr/Carton
466	PPT1515	15 x 15	200 x 1m	200
467	PPT2525	25 x 25	130 x 1m	130
468	PPT3025	30 x 25	125 x 1m	125
469	PPT4525	45 x 25	90 x 1m	90
470	PPT4545	45 x 45	50 x 1m	50
471	PPT4560	45 x 60	50 x 1m	50
472	PPT6025	60 x 25	70 x 1m	70
473	PPT6040	60 x 40	60 x 1m	60
474	PPT6045	60 x 45	50 x 1m	50
475	PPT6060	60 x 60	40 x 1m	40
476	PPT7525	75 x 25	60 x 1m	60
477	PPT7575	75 x 75	30 x 1m	30
478	PPT10075	100 x 75	24 x 1m	24
479	PPT100100	100 x 100	16 x 1m	16

- STANDARD SLOT

## UPVC PANEL TRUNKING



SR. NO.	PRODUCT CODE	SIZE	STANDARD PACK	
		H x W(mm)	Pc/Mtr	Mtr/Carton
480	PPT3025TS	30 x 25	125 x 1m	125
481	PPT4525TS	45 x 25	90 x 1m	90
482	PPT4545TS	45 x 45	50 x 1m	50
483	PPT4560TS	45 x 60	50 x 1m	50
484	PPT6025TS	60 x 25	70 x 1m	70
485	PPT6040TS	60 x 40	60 x 1m	60
486	PPT6045TS	60 x 45	50 x 1m	50
487	PPT6060TS	60 x 60	40 x 1m	40

- THIN SLOT

## UPVC PANEL TRUNKING



SR. NO.	PRODUCT CODE	SIZE	STANDARD PACK	
		(mm)	Pc/Mtr	Mtr/Carton
488	PPT25T	25	100 x 1m	100
489	PPT40T	40	50 x 1m	50
490	PPT45T	45	50 x 1m	50
491	PPT60T	60	50 x 1m	50
492	PPT75T	75	25 x 1m	25
493	PPT100T	100	25 x 1m	25

-TOP COVER

≈ FRLS: Fire Retardant - Low Smoke



**PRECISION**<sup>®</sup>

Pipes | Desh ki Lifeline



**CORRUGATED  
FLEXIBLE CONDUIT  
PIPES & FITTINGS**

**Precision Corrugated Flexible Conduit Pipes & Fittings**

come in a wide and comprehensive range of material variants to suit a variety of applications. These conduits are manufactured in variants based on the final application for wiring purposes.





**Polypropylene Flexible Conduits** are the best solution for applications where resistance to constant flexing and vibration is essential, these conduits display excellent flexibility. Moreover, they are light weight and easy to install which makes them very popular. Temperature resistant from  $-5^{\circ}\text{C}$  to  $+90^{\circ}\text{C}$ .

**Steel Wire Reinforced Flexible uPVC Conduits** are manufactured with soft polyvinyl chloride (uPVC) wall fused to high tensile steel wire in a coiled state. These conduits are unaffected by inorganic acid, alkali & saline water. Most suitable for electrical wiring in buildings, switch boards, panels, machinery, dust collectors, air dusting, exhaust of fumes, shrouds of railway coach wiring and hospital equipments. Temperature resistant from  $-5^{\circ}\text{C}$  to  $+90^{\circ}\text{C}$ .

### **Galvanised Steel Flexible Conduit**

Precision Steel Flexible Conduit Pipes are made from galvanised steel, helical wound strips having a square lock type construction and are manufactured in accordance to Indian/British Standards in galvanized zinc coating with spiral corrugated pattern finished surface. Mostly used as low pressure hose in Industrial domestic air conditioning, ventilation systems and as mechanical protection for insulated electrical cables & wires which may be exposed to atmospheric conditions.

### **Galvanised Steel Flexible Conduit With PVC Coating**

Precision PVC Coated Steel Flexible Conduit Pipes are made from galvanized steel, helical wound strips having a square lock type construction and are manufactured in accordance to Indian/British Standards in poly vinyl coating. They are available in black/grey colour with spiral corrugated pattern finished surface. Most suitable for mechanical protection of cable and wire in tunnels, hospitals, high-rise office blocks and public buildings.



Fire Retardant



Corrosion Free





# CORRUGATED FLEXIBLE CONDUIT PIPES & FITTINGS

HSN: 39173100



## DIMENSIONS OF CORRUGATED FLEXIBLE CONDUIT

Nominal Diameter (mm)	Maximum Outside Diameter (mm)	Tolerance on Outside Diameter (mm)	Minimum Inside Diameter (mm)
10	10	-0.1	7.0
16	16	-0.3	10.7
20	20	-0.3	14.1
25	25	-0.4	18.3
32	32	-0.4	24.3
40	40	-0.4	31.2
50	50	-0.5	39.6
63	63	-0.6	52.6

## DIMENSIONS OF GALVANIZED STEEL FLEXIBLE CONDUIT PIPES

Nominal Size (mm)	Nominal Size (inch)	OD (mm)	ID (mm)	BENDING radius/mm
16	1/2"	15.5	12.5	40
20	3/4"	22.5	19.5	55
25	1"	28	25.0	60
32	1 1/4"	35.0	32.0	70
40	1 1/2"	42.0	38.0	80
50	2"	54.0	50.0	90

\*Tolerance: Size below 50mm, +/- 1mm & above 50mm +/- 3mm

## DIMENSIONS OF GALVANIZED STEEL FLEXIBLE CONDUIT PIPES WITH PVC COATING

Nominal Size (mm)	Nominal Size (inch)	OD (mm)	ID (mm)	BENDING radius/mm
16	1/2"	16.5	12.5	40
20	3/4"	23.5	19.5	55
25	1"	29	25.0	60
32	1 1/4"	36.5	32.0	70
40	1 1/2"	44.0	38.0	80
50	2"	57.0	51.0	90

\*Tolerance: Size below 50mm, +/- 1mm & above 50mm +/- 3mm

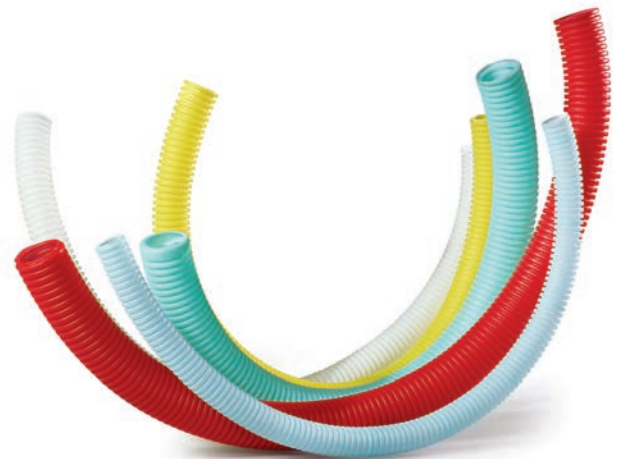
## (PP) POLY PROPYLENE



SR. NO.	PRODUCT CODE	SIZE	STANDARD PACK	
		OD (mm)	Mtr./Coil	Mtr./Bag
494	PCFC 10	10	100	1000
495	PCFC 16	16	50	500
496	PCFC 20	20	50	500
497	PCFC 25	25	25	250
498	PCFC 32	32	25	250
499	PCFC 40	40	20	100
500	PCFC 50	50	15	75
501	PCFC 63	63	10	50



SR. NO.	PRODUCT CODE	SIZE	STANDARD PACK	
		OD (mm)	Mtr./Coil	Mtr./Bag
502	PCCL 10	10	100	1000
503	PCCL 16	16	50	500
504	PCCL 20	20	50	500
505	PCCL 25	25	25	250
506	PCCL 32	32	25	250
507	PCCL 40	40	20	100
508	PCCL 50	50	15	75
509	PCCL 63	63	10	50



# CORRUGATED FLEXIBLE CONDUIT PIPES & FITTINGS

## CORRUGATED FLEXIBLE CONDUIT GLAND



HSN : 39174000



SR. NO.	PRODUCT CODE	SIZE	STANDARD PACK	
		OD (mm)	Pc./Box	Pc./Carton
510	PFAG 16	16	125	2250
511	PFAG 20	20	75	1350
512	PFAG 25	25	50	900
513	PFAG 32	32	30	540
514	PFAG 40	40	20	360
515	PFAG 50	50	5	150



## GALVANIZED STEEL FLEXIBLE CONDUIT PIPES

HSN : 83071000



SR. NO.	PRODUCT CODE	NORMAL SIZE (mm)	NORMAL SIZE (Inch)	STANDARD PACK	
				Mtr./Coil	Mtr./Bag
531	PGIFC 16	16	1/2"	15	210
532	PGIFC 20	20	3/4"	15	150
533	PGIFC 25	25	1"	15	105
534	PGIFC 32	32	1 1/4"	15	75
535	PGIFC 40	40	1 1/2"	15	75
536	PGIFC 50	50	2"	10	50

## STEEL WIRE REINFORCED FLEXIBLE uPVC CONDUIT PIPE



HSN : 39172190



SR. NO.	PRODUCT CODE	SIZE	STANDARD PACK	
		ID (mm)	Mtr./Coil	Mtr./Bag
516	PCWR 10	10	30	300
517	PCWR 16	16	30	300
518	PCWR 20	20	30	240
519	PCWR 25	25	30	210
520	PCWR 30	30	30	150
521	PCWR 40	40	30	120
522	PCWR 50	50	30	90
523	PCWR 60	60	15	75



## GALVANIZED STEEL FLEXIBLE CONDUIT WITH PVC COATING

HSN : 83071000



SR. NO.	PRODUCT CODE	NORMAL SIZE (mm)	NORMAL SIZE (Inch)	STANDARD PACK	
				Mtr./Coil	Mtr./Bag
537	PGIFCP 16	16	1/2"	50	250
538	PGIFCP 20	20	3/4"	25	150
539	PGIFCP 25	25	1"	25	125
540	PGIFCP 32	32	1 1/4"	15	75
541	PGIFCP 40	40	1 1/2"	15	75
542	PGIFCP 50	50	2"	15	60

## STEEL WIRE REINFORCED FLEXIBLE uPVC CONDUIT GLAND



HSN : 39174000



SR. NO.	PRODUCT CODE	SIZE	STANDARD PACK	
		OD (mm)	Pc./Box	Pc./Carton
524	PFRG 10	10	75	1350
525	PFRG 16	16	60	1080
526	PFRG 20	20	45	810
527	PFRG 25	25	30	540
528	PFRG 30	30	20	360
529	PFRG 40	40	15	270
530	PFRG 50	50	5	150



## CABLE TIES

**Precision Cable Ties** are manufactured primarily from high-strength nylon, engineered fastening devices designed to securely bundle and organize cables, wires, and other components. Ties feature ratcheting mechanism that allows the strap to lock in place, providing a reliable and tamper-resistant hold. Precision Cables ties are available in various lengths, tensile strength ranges from 78N to 530N depending on size and width. Precision ties are widely used across electrical, automotive, aerospace, and industrial applications.





## Applications.

Industrial & Manufacturing Securing components during assembly or transit bundling wires, hoses and tubing Automotive Organizing engine bay wiring , Fastening brake lines or fuel hoses Aerospace managing miles of cabling in aircraft Electronics & IT cable management in server racks and data centers

### STANDARD DIMENSIONS & SPECIFICATIONS OF CABLE TIES

Size (mm)	Length (mm)	Thickness (mm)	Tensile Strength			Bundle Diameter	
			Kg.	LBS	Newton	Min.	Max.
100 x 2.5	100	0.95	8	18	78	2	24
150 x 3.0	150	1.1	14	31	137	4	37
150 x 3.6	150	1.1	18	40	177	4	38
200 x 3.6	200	1.15	18	40	177	4	53
200 x 4.8	200	1.15	22	49	216	4	51
250 x 3.6	250	1.15	18	40	177	4	70
250 x 4.8	250	1.4	22	49	216	4	68
300 x 3.6	300	1.15	18	40	177	4	85
350 x 3.6	350	1.3	18	40	177	4	101
350 x 4.8	350	1.3	22	49	216	4	96
400 x 4.8	400	1.3	22	49	216	4	110
400 x 7.6	400	1.5	54	119	530	4	112
450 x 4.8	450	1.3	22	49	216	4	130
500 x 4.8	500	1.4	22	49	216	4	147
100 x 1.8	100	0.9	8	18	78	2	24
300 x 4.8	300	1.23	22	49	216	4	82

\* **Tolerance:** Length: 5.0 mm | Width: 0.5 mm | Thickness: 0.2 mm

## Features



Fire retardant



Good Finish



Durable & Impact  
resistant



Easy and quick  
installation

Precision Cable ties are high mechanical strength and durable Self - locking mechanism easy to use, secure grip Tensile Strength ranges from 78N to 530N Flame - retardant : UL94 V2/ROHS compliance



# CABLE TIES

HSN: 39173100



## CABLE TIES

SR. NO.	PRODUCT CODE	SIZE	STANDARD PACK	
		OD (mm)	Pc./Pack	Pack/Carton
543	PCT 100 2.5	100 x 2.5	1000	100
544	PCT 150 3.0	150 x 3.0	100	420
545	PCT 150 3.6	150 x 3.6	100	300
546	PCT 200 3.6	200 x 3.6	100	250
547	PCT 200 4.8	200 x 4.8	100	200
548	PCT 250 3.6	250 x 3.6	100	200
549	PCT 250 4.8	250 x 4.8	100	140
550	PCT 300 3.6	300 x 3.6	100	190
551	PCT 350 3.6	350 x 3.6	100	150
552	PCT 350 4.8	350 x 4.8	100	100
553	PCT 400 4.8	400 x 4.8	100	100
554	PCT 400 7.6	400 x 7.6	100	50
555	PCT 450 4.8	450 x 4.8	100	90
556	PCT 500 4.8	500 x 4.8	100	60
557	PCT 100 1.8	100 x 1.8	1000	120
558	PCT 1002.5 1	100 x 2.5	100	600
559	PCT 1001.8 1	100 x 1.8	100	800
560	PCT 300 4.8	300 x 4.8	100	120



(Black / White)



**SAFETY  
MEIN  
SAMJHOTA  
NAHIN.**

## MATERIAL DATA

Specific Gravity	:	1.40 - 1.46
Impact Resistance	:	High impact resistance. The material is formulated to comply with -5°C to +60°C as per IS 9537-Part 3 and IS 14927-Part 2 Cable Trunking Standards.
Tensile Strength	:	450/565 kg/cm <sup>2</sup>
Chemical Resistance	:	The material is virtually unaffected by inorganic acid, alkalis and salt.
Coefficient of linear Expansion	:	7x10/m/deg.C
Water Absorption	:	Negligible
Flammability	:	IS 9537-Part 3, IS 3419:1988, IS 14927-Part 2, BS 4607 and BS EN 61386-21
Vicat. Softening point (Pipe & Trunking)	:	80°C at 5 kg Load
Vicat. Softening point (Moulded Fittings)	:	76°C
Oxygen Index	:	40%
Electric Strength	:	To the requirement of IS 9537-Part 3, IS 3419:1988, IS 14927-Part 2, BS 4607 and BS EN 61386-21
Insulation Resistance	:	To the requirements of IS 9537-Part 3, IS 3419:1988, IS 14927-Part2, BS 4607 and BS EN 61386-21
Operating Temperature	:	-5°C to +60°C

## STANDARDS

Conduit	:	IS 9537-Part 3, BS EN 61386-21
Conduit Fittings	:	IS 3419:1988 with latest amendment, BS 4607
Trunking	:	IS 14927-Part 2, BS EN 50085-2-1:2006

## QUALITY CONFIRMATION



## LOW VOLTAGE DIRECTIVE



Precision products that comes within the scope of Low Voltage Directive (LVC) 2006/95/EC, RoHS Directive 2002/95/EC will be CE marked on their product or packaging that they meet the necessary requirements of the directive.

## CONDUIT AND TRUNKING

The following notes are intended to be a guide to the installation of Precision Conduit, Trunking and Fitting. To ensure safety in installation, commissioning and maintenance, work should be undertaken by competent personnel and in accordance with relevant codes of practice and statutory requirements. Information on installation can be found in:

- Regulations, Indian standards specifications and code of practice.
- Regulation for electrical equipment of buildings (IEE publication).

### CONDUIT

#### Choice of Conduit

The choice depends on the type of work being undertaken and the specification, Heavy Mechanical Stress (HMS) and Medium Mechanical Stress (MMS) Round Conduits are normally used in casting in situ and surface work. Light Mechanical Stress (LMS) Conduit is suitable for concealed work in drops and in screeds & surface. Trunking Profile are generally used as a method of installing cables in domestic / commercial for surface work and installation beneath plaster.

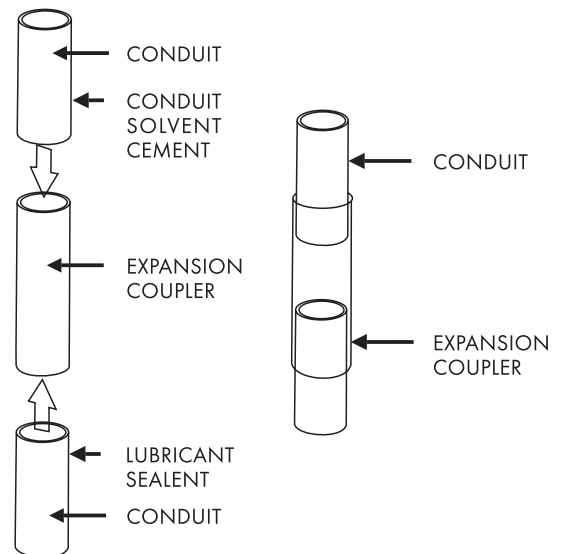
#### Surface Installation

All horizontal runs of conduit should be secured at a maximum distance of 0.9 meter and vertical runs should be secured at a maximum of 1.2 meter. For high ambient temperatures or where rapid changes in temperature are likely to be encountered the distance should be reduced. At fittings or where directional changes takes place the conduit should be fastened approximately 150 mm either side to maintain support. The fastening should not be over tightened to permit thermal movement of the conduit.

#### Joint and Couplers

To accommodate for thermal movement due to temperature change on surface installations, it is recommended that expansion couplers be used at a maximum distance of 6 meters intervals. Where high ambient temperature or frequent variation in temperature is likely to occur this distance should be reduced. Expansion couplers are installed with the short side coated with solvent cement and coupler pushed firmly over the conduit down to nib. The slip side coated with silicon grease receives the conduit to a midpoint to the nib. This will then permit for expansion or contraction providing the conduit is free to move in the saddle.

Conduit fittings are installed in the system using solvent cement for permanent installation and silicon grease where installation is subject to frequent changes.





## Jointing

PVC solvent cement is the recommended method of joining conduit into fitting like couplings, adaptors, bends and boxes. Precision solvent cement is especially formulated for watertight permanent joint.

### **BONDING INSTRUCTIONS**

Conduits and Fittings to be bonded must be clean, dry and free from oil moisture, dirt and grease.

- Cut the pipe, remove burr from the both inside and outside of the pipe with knife, file or reamer.
- Apply an even layer of cement to the pipe and fitting.
- Immediately push the pipe into the fitting together to the full depth without twisting. Hold in place for 30 seconds and clean off excess cement.

## Bending

Bending of conduit up to 25 mm in diameter can be carried out using correct size and gauge of bending spring. It should be noted that Heavy gauge spring is plated gold colour for heavy conduit. Medium gauge spring is plated silver colour for medium conduit and Light gauge spring is plated black colour for light conduit. Make sure they are not damaged in any way, as this can cause the conduit to kink and fracture making removal of spring difficult.

### Cold Bending

To bend the conduit, insert the spring to the desired position, grip the conduit on either side of the bend and bring slowly together to form the bend. The bend should be made more acute than necessary because of tendency of the PVC to recover after bending. Pull the spring gently. Do not pull too hard otherwise damage to the spring may occur. The conduit should then be fastened into position to prevent further recovering.

### Hot Bending

For conduit sizes over 25 mm diameter, hot bending is required, with the same procedure as cold bending; but with the application of gentle heat just prior to bending with care being taken to avoid the direct application of flame to the conduit. When the conduit is in pliable state, slowly bend around a suitable former, holding the position for about one minute until set.

If the conduit is bent too fast or, particularly in the case of light conduit, there is a risk of damage to both the conduit and spring. Similarly once the bend has been made it should not be forced backwards, but be allowed to recover naturally.

## Earthing

The properties of PVC make it an all insulated system and the use of separate earth cable is essential which greatly reduces the risk of poor earth continuity that can result from any breakdown of joint, which may occur in a steel system.

## DIMENSIONS OF ROUND CONDUIT uPVC PIPES IS 9537-PART 3

Nominal Size (mm)	Outside Diameter (mm)	Tolerance on Outside Diameter (mm)	Inside Diameter (Min.) (mm)		
			Light	Medium	Heavy
20	20	-0.3	17.4	16.9	15.8
25	25	-0.4	22.1	21.4	20.6
32	32	-0.4	28.6	27.8	26.6
40	40	-0.4	35.8	35.4	34.4
50	50	-0.5	45.1	44.3	43.2
63	63	-0.6	57.0	-	-
<b>#SPECIAL SIZES</b>					
19	19	-0.3	16.5	16.0	15.1

## DIMENSIONS OF G.I. & M.S. CONDUIT PIPES

NORMAL SIZE	OUTSIDE DIAMETER	TOLERANCE OD	WALL THICKNESS	WALL THICKNESS TOLERANCE
MM	MM	MM	MM	MM
20	20	0, -0.3	1.60	±0.2
25	25	0, -0.4	1.60	±0.2
32	32	0, -0.4	1.60	±0.2
40	40	0, -0.4	2.00	+0.2, -0.4
50	50	0, -0.5	2.00	+0.2, -0.4

## DIMENSIONS OF CORRUGATED FLEXIBLE CONDUITS

Nominal Diameter (mm)	Maximum Outside Diameter (mm)	Tolerance on Outside Diameter (mm)	Minimum Inside Diameter (mm)
10	10	-0.1	7.0
16	16	-0.3	10.7
20	20	-0.3	14.1
25	25	-0.4	18.3
32	32	-0.4	24.3
40	40	-0.4	31.2
50	50	-0.5	39.6
63	63	-0.6	52.6

## DIMENSIONS OF GALVANIZED STEEL FLEXIBLE CONDUIT PIPES

Nominal Size (mm)	Nominal Size (inch)	OD (mm)	ID (mm)	BENDING radius/mm
16	1/2"	15.5	12.5	40
20	3/4"	22.5	19.5	55
25	1"	28	25.0	60
32	1 1/4"	35.0	32.0	70
40	1 1/2"	42.0	38.0	80
50	2"	54.0	50.0	90

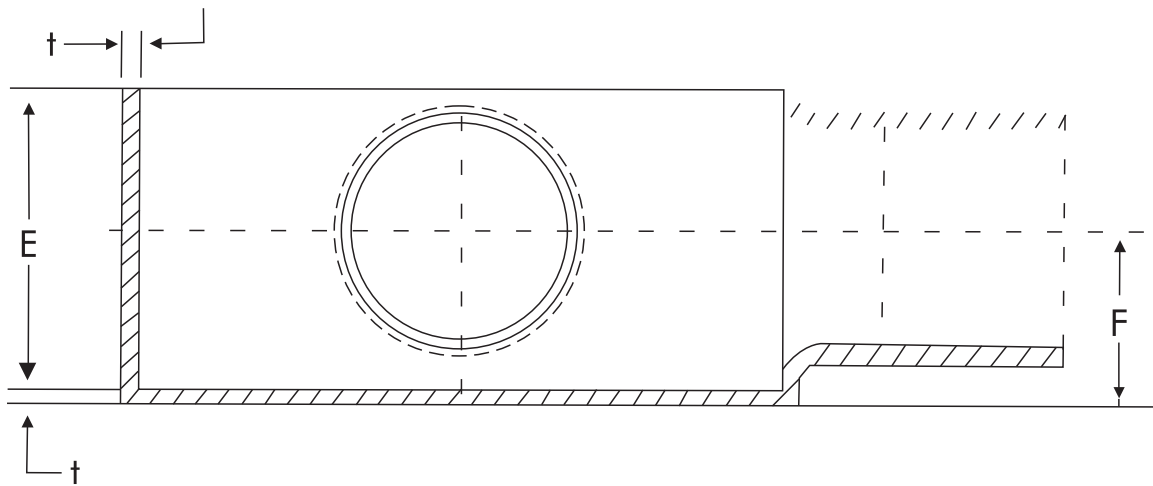
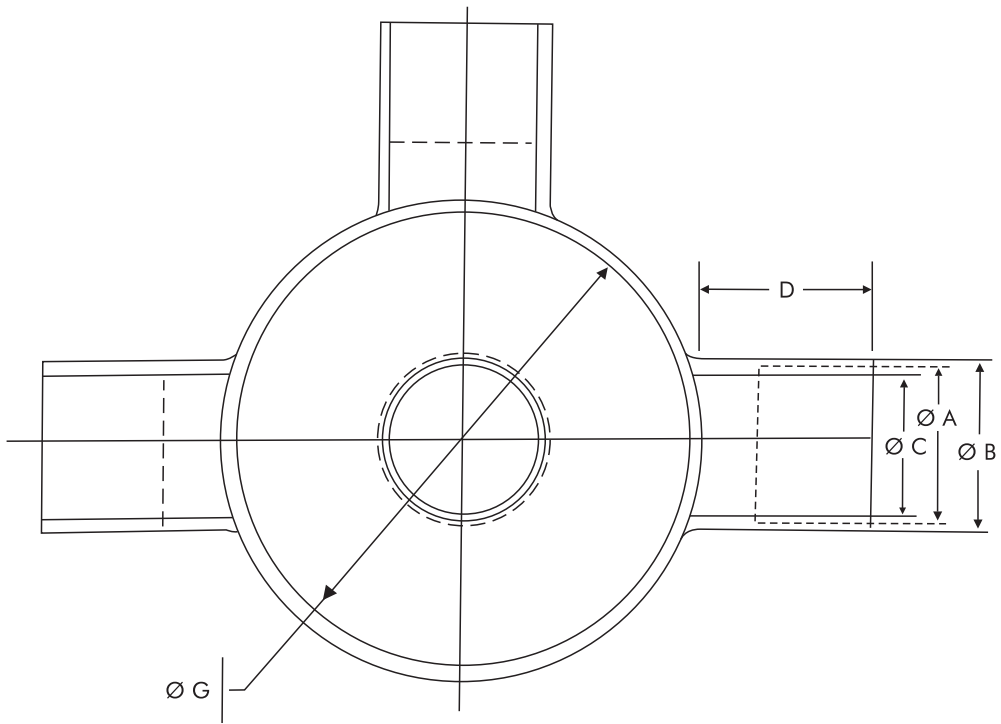
\*Tolerance: Size below 50mm, +/- 1mm & above 50mm +/- 3mm

## DIMENSIONS OF GALVANIZED STEEL FLEXIBLE CONDUIT PIPES WITH PVC COATING

Nominal Size (mm)	Nominal Size (inch)	OD (mm)	ID (mm)	BENDING radius/mm
16	1/2"	16.5	12.5	40
20	3/4"	23.5	19.5	55
25	1"	29	25.0	60
32	1 1/4"	36.5	32.0	70
40	1 1/2"	44.0	38.0	80
50	2"	57.0	51.0	90

\*Tolerance: Size below 50mm, +/- 1mm & above 50mm +/- 3mm

**SPOUT TYPE - CIRCULAR JUNCTION BOXES**  
**IS 3419:1988**



**NOMINAL OUTSIDE DIAMETER OF CONDUIT**

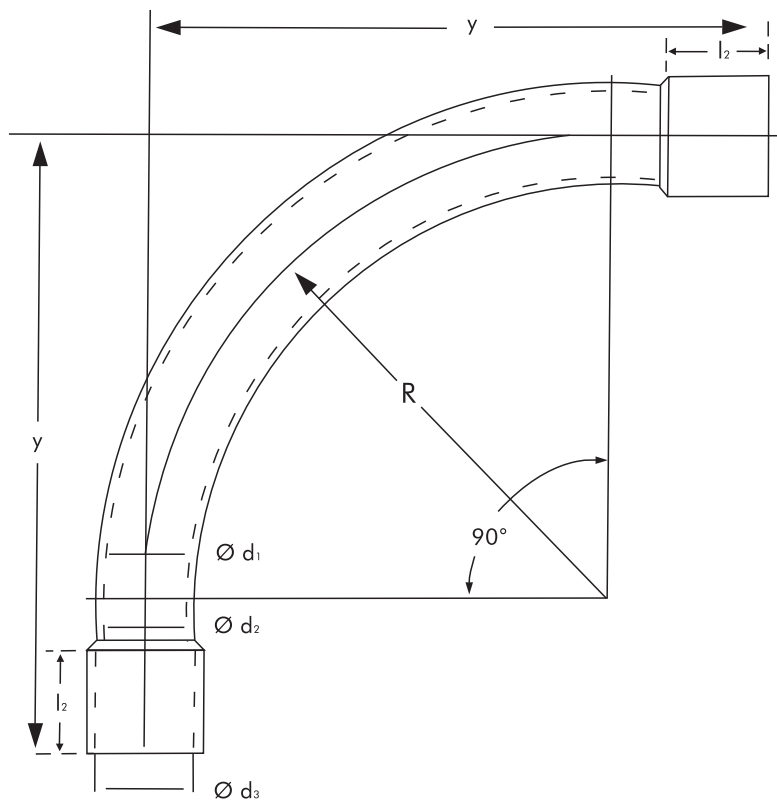
A	B MIN	C	D MIN	E MIN	F MAX	F MIN	G	T MIN
(1)	(2)	(3)	(4)	(5)	(6)	(7)	(8)	(9)
20	23.0	17.00 + 0.25	20.0	25	14.5	13.5	60 + 1.5	1.6
25	29.5	22.75 + 0.25	23.0	28	17.5	16.5	60 + 1.5	1.6

**DEEP CIRCULAR JUNCTION BOX  
NOMINAL OUTSIDE DIAMETER OF CONDUIT**

A	B MIN	C	D MIN	E MIN	F MAX	F MIN	G	T MIN
(1)	(2)	(3)	(4)	(5)	(6)	(7)	(8)	(9)
20	23.0	17.00 + 0.25	20.0	62.60 + 0.2	14.5	13.5	60 + 1.5	1.6
25	29.5	22.75 + 0.25	23.0	62.60 + 0.2	17.5	16.5	60 + 1.5	1.6
32	35.5	29.5 + 0.5	24.0	62.60 + 0.2	19.5	18.5	60 + 1.5	1.6

**SLIP TYPE COUPLING BENDS**

All dimensions in millimeters.



Nominal Size	Outside Diameter of Bend d1	Minimum Inside Diameter of Bend d2	Inside Diameter of Collar d3	R	Y	L
(1)	(2)	(3)	(4)	(5)	(6)	(7)
20	20 - 0.3	16.9	20.1 + 0.2	65	115	35
25	25 - 0.3	21.3	25.1 + 0.3	90	160	35
32	32 - 0.3	27.9	32.1 + 0.3	125	215	45
40	40 - 0.3	35.5	40.1 + 0.4	160	260	45
50	50 - 0.3	44.7	50.1 + 0.4	210	310	55

## MINI/MAXI TRUNKING PROFILE

Precision Trunking Profile system is designed to give improved appearance and security to surface cables with its wide range of Trunking sizes and fittings offers an efficient and economical solution to cable management. Trunking Profile consists of base and clip on lid which is fitted to the base by pressing it along its front face. The lid can be easily removed by lifting it from the base at one end and peeling it away. The lid has an easy closing mechanism, which is designed to give a securely closed installation, yet is easily accessible for maintenance or modification.

### Mounting

Drill oversize holes on base of Trunking Profile to mechanically fix to the desired surface using flat head screws with washers. Fixing center should not be more than 400 mm apart, or more than 150 mm away from the end of the straight run.

### Joints

At each joint 3 mm should be left for expansion. A fine toothed tension saw and mitre block should be used to cut the Trunking to provide a neat installation. Internal bends must be mitred to ensure total enclosure of Trunking Profile. External bends should be cut square with the corner and at angles and tees, cut the side wall of Trunking Profile for the cable entry. None of the cutting is critical as the clip on fittings have a built-in overlap for the lid and sidewalls.

## CONDUIT AND TRUNKING CABLE CAPACITIES

Single-core PVC - insulated cables in straight runs of conduit not exceeding 3 meters in length.

For each cable it is intended to use, obtain the appropriate factor from Table 1A.

Add all the cable factors so obtained and compare with the conduit factors given in Table 1 B.

The conduit size which will satisfactorily accommodate the cables in that size having a factor equal to or exceeding the sum of the cable factors.

Single-core PVC - Insulated cables In straight runs of conduit exceeding 3 meters in length, or in runs of any length incorporating bends or sets.

For each cable it is intended to use, obtain the appropriate factor from Table 1C.

Add all the cable factors so obtained and compare with the conduit factors given in Table 1D, taking into account the length of the run it is intended to use and the number of bends and sets in that run.

The Conduit size which will satisfactorily accommodate the cables is that size having a factor equal to or exceeding the sum of the cable factors.

**TABLE 1A**  
Cable factors for short straight runs

Type of Conductor	Conductor Cross Sectional Area (mm)	Factor
Soild	1.0	22
	1.5	27
	2.5	39
Stranded	1.5	31
	2.5	43
	4.0	58
	6.0	88
	10.0	146

**TABLE 1B**  
Cable factors for short straight runs

Conduit Dia (mm)	Factor
20	460
25	800
32	1400

**TABLE 1C**  
Cable factors for short straight runs or runs incorporative bends

Type of Conductor	Conductor Cross Sectional Area (mm)	Factor
Soild or Stranded	1.0	16
	1.5	22
	2.5	30
	4.0	43
	6.0	58
	10.0	105

**TABLE 1D**  
Conduit factors for runs incorporating bends

Length of run (mtr)	20	25	32	20	25	32	20	25	32	20	25	32	20	25	32
	Straight			One bends			Two bends			Three bends			Four bends		
1.0	<b>Covered by Tables 1A and 1B</b>			303	543	947	286	514	900	256	463	818	213	388	692
1.5				294	528	923	270	487	857	233	422	750	182	333	600
2.0				286	514	900	126	463	818	213	388	692	159	292	529
2.5				278	500	878	244	442	783	196	358	643	141	260	474
3.0				270	487	857	233	422	750	182	333	600	-	-	-
3.5	290	521	911	263	475	837	222	404	720	163	311	563	-	-	-
4.0	286	514	900	256	463	818	213	388	692	159	292	529	-	-	-
4.5	282	507	889	250	452	800	204	373	667	149	260	474	-	-	-
5.0	278	500	878	244	442	783	196	358	643	141	260	474	-	-	-
6.0	270	487	857	233	422	750	182	333	600	-	-	-	-	-	-
7.0	263	475	837	222	404	720	169	311	563	-	-	-	-	-	-
8.0	256	463	818	213	388	692	159	292	529	-	-	-	-	-	-
9.0	250	452	800	204	373	667	149	275	500	-	-	-	-	-	-
10.0	244	442	783	196	358	643	141	260	474	-	-	-	-	-	-

The content of all the technical information are for guidance only, if you have a query as to the interpretation of the information contained therein, please refer to the standard itself or contact Precision Plastic Industries Pvt. Ltd. In accordance with our policy of continual improvement, Precision Plastic Industries Pvt. Ltd. reserve the right to change specifications & designs without notice.





[electrical@precisionpipes.com](mailto:electrical@precisionpipes.com)  
[www.precisionpipes.com](http://www.precisionpipes.com)

---

We Care **+91 77150 00015**

---

**PRECISION PLASTIC INDUSTRIES PVT. LTD.**

19/D, Nand Jyot Industrial Estate, Safed Pool, Andheri - Kurla Road,  
Andheri East, Mumbai 400 072, Maharashtra, India.