



**CATALOGUE**  
2025 - 2026

**SAFETY  
MEIN  
SAMJHOTA  
NAHIN.**



# DIRECTOR'S NOTE

1978 - The year when Precision Pipes was incorporated with a mission and vision to be the lifeline of every building and bring every home to life.

Cut to the present day where, as our tagline would have it, Precision Pipes has become the 'Desh ki lifeline' .

Our journey so far has been all about innovation, understanding the need of the hour and promptly acting upon it, and changing the overall consumer perception about the category with our wide range of products.

We started off with a range of electrical piping systems including Round Conduit uPVC Pipes, G.I. & M.S. Conduit Pipes, uPVC Mini / Maxi Trunking Profile, uPVC Panel Trunking, Corrugated Flexible Conduit Pipes and Fittings.

We've also diversified our offerings so as to cater to a wider audience looking for plumbing piping systems, with our CPVC, ASTM (uPVC), Sewerage Waste and Rainwater (SWR), Agriculture uPVC Pipes and Fittings.

To be the 'Desh ki lifeline' , it was imperative for us be connected with the country right from the grassroot level. So we built large scale manufacturing locations at Daman, Bengaluru, & Gujarat.

We've also built a strong distribution network that adheres to national and international standards recognized by leading consultants, architects, construction industries, government departments, defense, railways and automobile industries.

Also, all our products comply with major national and international standards like the ISO 9001: 2015, IS (Indian Standard), BS (British Standard) and CE for Low Voltage Directive.

This has ensured that consumers can buy our products through a dedicated sales network in India as well as in Europe, Middle East, Africa etc.

We've come a long way in our journey so far, but we at Precision Pipes continue to innovate every single day to keep on being 'Saare desh ki lifeline' .

**Kunal S. Kadakia**

# INDEX



<b>ROUND CONDUIT uPVC PIPES &amp; FITTINGS</b>	<b>04</b>
<b>ALL WEATHER BOXES</b>	<b>16</b>
<b>G.I &amp; M.S.CONDUIT PIPES &amp; FITTINGS</b>	<b>19</b>
<b>uPVC MINI/MAXI TRUNKING PROFILE &amp; FITTINGS</b>	<b>23</b>
<b>METALLIC CABLE MANAGEMENT SYSTEM</b>	<b>28</b>
<b>uPVC PANEL TRUNKING</b>	<b>35</b>
<b>CORRUGATED FLEXIBLE CONDUIT PIPES &amp; FITTINGS</b>	<b>39</b>
<b>TECHNICAL DATA</b>	<b>43</b>



## ROUND CONDUIT uPVC PIPES & FITTINGS

### Precision Round Conduit uPVC

**Pipes & Fittings** are manufactured from a specially formulated unplasticated polyvinyl chloride (uPVC) to meet the most stringent Indian and international standards. Our products are made of extra super high impact material which make them safe to use in harsh environments.

The products are manufactured in accordance with IS 9537 - Part 3, BS EN 61386-21 for uPVC conduits, IS 3419 : 1988 and BS 4607 for uPVC fittings.



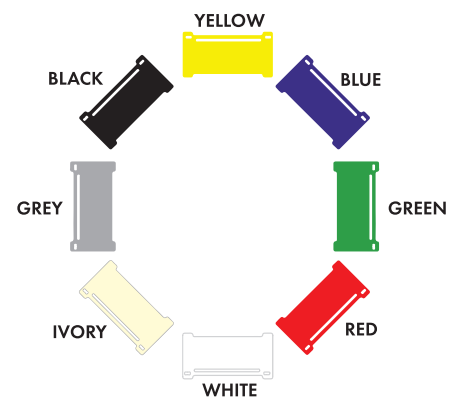


## Applications

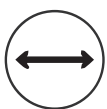
Channelising concealed and surface wiring.  
Telecommunication and cable ducting.

### DIMENSIONS OF ROUND CONDUIT uPVC PIPES IS 9537- PART 3

Nominal Size (mm)	Outside Diameter (mm)	Tolerance on Outside Diameter (mm)	Inside Diameter (Min.) (mm)		
			Light	Medium	Heavy
20	20	-0.3	17.4	16.9	15.8
25	25	-0.4	22.1	21.4	20.6
32	32	-0.4	28.6	27.8	26.6
40	40	-0.4	35.8	35.4	34.4
50	50	-0.5	45.1	44.3	43.2
63	63	-0.6	57.0	-	-
<b>#SPECIAL SIZES</b>					
19	19	-0.3	16.5	16.0	15.1



## Features



Various Diameters & Grades



Fire retardant & corrosion free



Easy and quick installation



Thermal resistant (-5° C to +60° C)



Durable & Impact resistant



Laser Engraved Pipe

- Light, medium and heavy mechanical stress, to suit various applications and site conditions
- Wide range of component maximises application
- Precision circular boxes and adaptable boxes are provided with M4 brass insert with a load suspension capacity of 3 Kgs at +60° C

# ROUND CONDUIT uPVC PIPES (SOCKETED)

HSN : 39172310

IS:9537



Part 3



SR. NO.	PRODUCT CODE	SIZE	STANDARD PACK		NORTH INDIA PACK
		OD (mm)	Pc. x Mtr.	Mtr. / Bdl.	Mtr. / Bdl.
<b>LMS (LIGHT MECHANICAL STRESS)</b>					
# 1	PRCS 19L	19	100 x 3m	300	-
# 2	PRCS 19LNI	19	40 x 3m	-	120
3	PRCS 20L	20	100 x 3m	300	-
4	PRCS 20LNI	20	40 x 3m	-	120
5	PRCS 25L	25	100 x 3m	300	-
6	PRCS 25LNI	25	25 x 3m	-	75
7	PRCS 32L	32	50 x 3m	150	-
8	PRCS 32LNI	32	10 x 3m	-	30
9	PRCS 40L	40	25 x 3m	75	-
10	PRCS 40LNI	40	5 x 3m	-	15
11	PRCS 50L	50	20 x 3m	60	-
12	PRCS 50LNI	50	5 x 3m	-	15
13	PRCS 63L	63	18 x 3m	54	-

SR. NO.	PRODUCT CODE	SIZE	STANDARD PACK		NORTH INDIA PACK
		OD (mm)	Pc. x Mtr.	Mtr. / Bdl.	Mtr. / Bdl.
<b>HMS (HEAVY MECHANICAL STRESS)</b>					
# 26	PRCS 19H	19	100 x 3m	300	-
# 27	PRCS 19HNI	19	40 x 3m	-	120
28	PRCS 20H	20	100 x 3m	300	-
29	PRCS 20HNI	20	40 x 3m	-	120
30	PRCS 25H	25	50 x 3m	150	-
31	PRCS 25HNI	25	25 x 3m	-	75
32	PRCS 32H	32	50 x 3m	150	-
33	PRCS 32HNI	32	10 x 3m	-	30
34	PRCS 40H	40	25 x 3m	75	-
35	PRCS 40HNI	40	5 x 3m	-	15
36	PRCS 50H	50	20 x 3m	60	-
37	PRCS 50HNI	50	5 x 3m	-	15

SR. NO.	PRODUCT CODE	SIZE	STANDARD PACK		NORTH INDIA PACK
		OD (mm)	Pc. x Mtr.	Mtr. / Bdl.	Mtr. / Bdl.
<b>MMS (MEDIUM MECHANICAL STRESS)</b>					
# 14	PRCS 19M	19	100 x 3m	300	-
# 15	PRCS 19MNI	19	40 x 3m	-	120
16	PRCS 20M	20	100 x 3m	300	-
17	PRCS 20MNI	20	40 x 3m	-	120
18	PRCS 25M	25	100 x 3m	300	-
19	PRCS 25MNI	25	25 x 3m	-	75
20	PRCS 32M	32	50 x 3m	150	-
21	PRCS 32MNI	32	10 x 3m	-	30
22	PRCS 40M	40	25 x 3m	75	-
23	PRCS 40MNI	40	5 x 3m	-	15
24	PRCS 50M	50	20 x 3m	60	-
25	PRCS 50MNI	50	5 x 3m	-	15



#Special Size

## ROUND CONDUIT uPVC PIPES (SOCKETED) CE FRLS

HSN : 39172310

SPECIAL SIZES



SR. NO.	PRODUCT CODE	SIZE OD (mm)	STANDARD PACK		NORTH INDIA PACK
			Pc x Mtr	Mtr x Bdl	Mtr x Bdl
# 38	PRCS19SPL	19X1 mm	100x3m	300	-
# 39	PRCS19SPLNI	19X1 mm	40x3m	-	120
# 40	PRCS20SPL	20X1 mm	100x3m	300	-
# 41	PRCS20SPLNI	20X1 mm	40x3m	-	120
# 42	PRCS25SPL	25X1 mm	100x3m	300	-
# 43	PRCS25SPLNI	25X1 mm	25x3mm	-	75

# Special Size

## BENDING SPRING

HSN : 73201019



SR. NO.	PRODUCT CODE	SIZE OD (mm)	COLOUR	STANDARD PACK	
				Pc/Bag	Pc/Carton
<b>LIGHT GAUGE</b>					
44	PBS20L	20	Black	10	50
45	PBS25L	25	Black	5	25
<b>MEDIUM GAUGE</b>					
46	PBS20M	20	Silver	10	50
47	PBS25M	25	Silver	5	25
<b>HEAVY GAUGE</b>					
48	PBS20H	20	Gold	10	50
49	PBS25H	25	Gold	5	25

⊗ Suitable for 19mm LMS and 19mm MMS conduits also.

# ROUND CONDUIT uPVC PIPE FITTINGS

HSN : 39174000



## CIRCULAR BOX WITHOUT LID



### CIRCULAR BOX

SR. NO.	PRODUCT CODE	SIZE	STANDARD PACK	
		OD (mm)	Pc./Box	Pc./Carton
50	PRCB 191	19	20	600
51	PRCB 201	20	20	600
52	PRCB 251	25	15	450
53	PRCB 321	32	10	160
54	PRCB 401	40	10	160
55	PRCB 501	50	5	80

**TERMINAL - 1 WAY**



### CIRCULAR BOX

SR. NO.	PRODUCT CODE	SIZE	STANDARD PACK	
		OD (mm)	Pc./Box	Pc./Carton
68	PRCB 193	19	20	400
69	PRCB 203	20	20	400
70	PRCB 253	25	15	300
71	PRCB 323	32	10	160
72	PRCB 403	40	10	160
73	PRCB 503	50	5	80

**TEE - 3 WAY**



### CIRCULAR BOX

SR. NO.	PRODUCT CODE	SIZE	STANDARD PACK	
		OD (mm)	Pc./Box	Pc./Carton
56	PRCB 192A	19	20	400
57	PRCB 202A	20	20	400
58	PRCB 252A	25	15	300
59	PRCB 322A	32	10	160
60	PRCB 402A	40	10	160
61	PRCB 502A	50	5	80

**ANGLE - 2 WAY**



### CIRCULAR BOX

SR. NO.	PRODUCT CODE	SIZE	STANDARD PACK	
		OD (mm)	Pc./Box	Pc./Carton
74	PRCB 194	19	20	400
75	PRCB 204	20	20	400
76	PRCB 254	25	15	240
77	PRCB 324	32	10	160
78	PRCB 404	40	10	160
79	PRCB 504	50	5	80

**INTERSECTION - 4 WAY**



### CIRCULAR BOX

SR. NO.	PRODUCT CODE	SIZE	STANDARD PACK	
		OD (mm)	Pc./Box	Pc./Carton
62	PRCB 192S	19	20	400
63	PRCB 202S	20	20	400
64	PRCB 252S	25	15	300
65	PRCB 322S	32	10	160
66	PRCB 402S	40	10	160
67	PRCB 502S	50	5	80

**THROUGH - 2 WAY**



### DEEP CIRCULAR BOX

SR. NO.	PRODUCT CODE	SIZE	STANDARD PACK	
		OD (mm)	Pc./Box	Pc./Carton
80	PRCB 191D	19	10	280
81	PRCB 201D	20	10	280
82	PRCB 251D	25	10	280
83	PRCB 321D	32	10	280

**TERMINAL - 1 WAY**

# ROUND CONDUIT uPVC PIPE FITTINGS

HSN : 39174000



## CIRCULAR BOX WITHOUT LID

### DEEP CIRCULAR BOX



SR. NO.	PRODUCT CODE	SIZE	STANDARD PACK	
		OD (mm)	Pc./Box	Pc./Carton
84	PRCB 192AD	19	10	280
85	PRCB 202AD	20	10	280
86	PRCB 252AD	25	10	280
87	PRCB 322AD	32	10	220

ANGLE - 2 WAY

### DEEP CIRCULAR BOX



SR. NO.	PRODUCT CODE	SIZE	STANDARD PACK	
		OD (mm)	Pc./Box	Pc./Carton
96	PRCB 194D	19	10	220
97	PRCB 204D	20	10	220
98	PRCB 254D	25	10	220
99	PRCB 324D	32	10	160

INTERSECTION - 4 WAY

### DEEP CIRCULAR BOX



SR. NO.	PRODUCT CODE	SIZE	STANDARD PACK	
		OD (mm)	Pc./Box	Pc./Carton
88	PRCB 192SD	19	10	200
89	PRCB 202SD	20	10	200
90	PRCB 252SD	25	10	200
91	PRCB 322SD	32	10	200

THROUGH - 2 WAY

### CIRCULAR BOX



SR. NO.	PRODUCT CODE	SIZE	STANDARD PACK	
		OD (mm)	Pc./Box	Pc./Carton
100	PRCB 19U	19	20	400
101	PRCB 20U	20	20	400
102	PRCB 25U	25	20	400

BRANCH - 2 WAY (U)

### DEEP CIRCULAR BOX



SR. NO.	PRODUCT CODE	SIZE	STANDARD PACK	
		OD (mm)	Pc./Box	Pc./Carton
92	PRCB 193D	19	10	220
93	PRCB 203D	20	10	220
94	PRCB 253D	25	10	220
95	PRCB 323D	32	10	160

TEE - 3 WAY

### CIRCULAR BOX



SR. NO.	PRODUCT CODE	SIZE	STANDARD PACK	
		OD (mm)	Pc./Box	Pc./Carton
103	PRCB 19Y	19	20	400
104	PRCB 20Y	20	20	400
105	PRCB 25Y	25	15	300

BRANCH - 3 WAY (Y)



# ROUND CONDUIT uPVC PIPE FITTINGS

HSN : 39174000



## CIRCULAR BOX WITHOUT LID



### CIRCULAR BOX

SR. NO.	PRODUCT CODE	SIZE	STANDARD PACK	
		OD (mm)	Pc./Box	Pc./Carton
106	PRCB 19H	19	15	300
107	PRCB 20H	20	15	300
108	PRCB 25H	25	15	300

**BRANCH - 4 WAY (H)**



### CIRCULAR BOX

SR. NO.	PRODUCT CODE	SIZE	STANDARD PACK	
		OD (mm)	Pc./Box	Pc./Carton
115	PRCB 203 BO	20	20	400
116	PRCB 253 BO	25	15	300

**BACK OUTLET TEE - 3 WAY**



### CIRCULAR BOX

SR. NO.	PRODUCT CODE	SIZE	STANDARD PACK	
		OD (mm)	Pc./Box	Pc./Carton
109	PRCB 201 BO	20	20	400
110	PRCB 251 BO	25	15	300

**BACK OUTLET - 1 WAY**



### CIRCULAR LID

SR. NO.	PRODUCT CODE	SIZE	STANDARD PACK	
		OD (mm)	Pc./Box	Pc./Carton
117	PRCL65	65	100	2000
118	PRCL80	80	100	2000
119	PRCL85	85	100	2000
120	PRCL90	90	100	1800
121	PRCL93	93	25	750
122	PRCL110	110	50	900

**WITH SCREW**



### CIRCULAR BOX

SR. NO.	PRODUCT CODE	SIZE	STANDARD PACK	
		OD (mm)	Pc./Box	Pc./Carton
111	PRCB 202S BO	20	20	400
112	PRCB 252S BO	25	15	300

**BACK OUTLET THROUGH - 2 WAY**



### CIRCULAR LID

SR. NO.	PRODUCT CODE	SIZE	STANDARD PACK	
		OD (mm)	Pc./Box	Pc./Carton
123	PRCL65WS	65	100	2000
124	PRCL80WS	80	100	2000
125	PRCL85WS	85	100	2000
126	PRCL90WS	90	100	1800
127	PRCL93WS	93	25	750
128	PRCL110WS	110	50	900

**WITHOUT SCREW**



### CIRCULAR BOX

SR. NO.	PRODUCT CODE	SIZE	STANDARD PACK	
		OD (mm)	Pc./Box	Pc./Carton
113	PRCB 202A BO	20	20	400
114	PRCB 252A BO	25	15	300

**BACK OUTLET ANGLE - 2 WAY**

- >> 65 - For 19/20/25mm JB, DJB & 32 DJB
- ⊠ 80 - For 32/40mm JB
- ~ 93 - For 50mm JB

# ROUND CONDUIT UPVC PIPE FITTINGS

HSN : 39174000



## CIRCULAR BOX WITH LID & SCREW



### CIRCULAR BOX

SR. NO.	PRODUCT CODE	SIZE	STANDARD PACK	
		OD (mm)	Pc./Box	Pc./Carton
129	PRCB 191L	19	20	600
130	PRCB 201L	20	20	600
131	PRCB 251L	25	15	450
132	PRCB 321L	32	10	160
133	PRCB 401L	40	10	160
134	PRCB 501L	50	5	80

**TERMINAL - 1 WAY**



### CIRCULAR BOX

SR. NO.	PRODUCT CODE	SIZE	STANDARD PACK	
		OD (mm)	Pc./Box	Pc./Carton
145	PRCB 192SL	19	20	400
146	PRCB 202SL	20	20	400
147	PRCB 252SL	25	15	300
148	PRCB 322SL	32	10	160
149	PRCB 402SL	40	10	160
150	PRCB 502SL	50	5	80

**THROUGH - 2 WAY**



### CIRCULAR BOX

SR. NO.	PRODUCT CODE	SIZE	STANDARD PACK	
		OD (mm)	Pc./Box	Pc./Carton
135	PRCB 201AL	20	20	360
136	PRCB 251AL	25	15	270

**TERMINAL - 1 WAY (AUTO LID W/O SCREW)**



### CIRCULAR BOX

SR. NO.	PRODUCT CODE	SIZE	STANDARD PACK	
		OD (mm)	Pc./Box	Pc./Carton
151	PRCB 202SAL	20	15	270
152	PRCB 252SAL	25	10	180

**THROUGH - 2 WAY (AUTO LID W/O SCREW)**



### CIRCULAR BOX

SR. NO.	PRODUCT CODE	SIZE	STANDARD PACK	
		OD (mm)	Pc./Box	Pc./Carton
137	PRCB 192AL	19	20	400
138	PRCB 202AL	20	20	400
139	PRCB 252AL	25	15	300
140	PRCB 322AL	32	10	160
141	PRCB 402AL	40	10	160
142	PRCB 502AL	50	5	80

**ANGLE - 2 WAY**



### CIRCULAR BOX

SR. NO.	PRODUCT CODE	SIZE	STANDARD PACK	
		OD (mm)	Pc./Box	Pc./Carton
153	PRCB 193L	19	20	400
154	PRCB 203L	20	20	400
155	PRCB 253L	25	15	300
156	PRCB 323L	32	5	110
157	PRCB 403L	40	5	110
158	PRCB 503L	50	5	80

**TEE - 3 WAY**



### CIRCULAR BOX

SR. NO.	PRODUCT CODE	SIZE	STANDARD PACK	
		OD (mm)	Pc./Box	Pc./Carton
143	PRCB 202AAL	20	15	270
144	PRCB 252AAL	25	10	180

**ANGLE - 2 WAY (AUTO LID W/O SCREW)**



### CIRCULAR BOX

SR. NO.	PRODUCT CODE	SIZE	STANDARD PACK	
		OD (mm)	Pc./Box	Pc./Carton
159	PRCB 203AL	20	15	270
160	PRCB 253AL	25	10	180

**TEE - 3 WAY (AUTO LID W/O SCREW)**



## CIRCULAR BOX WITH LID & SCREW



### CIRCULAR BOX

SR. NO.	PRODUCT CODE	SIZE	STANDARD PACK	
		OD (mm)	Pc./Box	Pc./Carton
161	PRCB 194L	19	20	320
162	PRCB 204L	20	20	320
163	PRCB 254L	25	15	240
164	PRCB 324L	32	5	110
165	PRCB 404L	40	5	110
166	PRCB 504L	50	5	80

#### INTERSECTION - 4 WAY

## DEEP CIRCULAR BOX WITH LID & SCREW



### DEEP CIRCULAR BOX

SR. NO.	PRODUCT CODE	SIZE	STANDARD PACK	
		OD (mm)	Pc./Box	Pc./Carton
173	PRCB 191DL	19	10	280
174	PRCB 201DL	20	10	280
175	PRCB 251DL	25	10	280
176	PRCB 321DL	32	10	280

#### TERMINAL - 1 WAY

## CIRCULAR BOX



SR. NO.	PRODUCT CODE	SIZE	STANDARD PACK	
		OD (mm)	Pc./Box	Pc./Carton
167	PRCB 204AL	20	12	216
168	PRCB 254AL	25	15	150

#### INTERSECTION - 4 WAY (AUTO LID W/O SCREW)

## DEEP CIRCULAR BOX



SR. NO.	PRODUCT CODE	SIZE	STANDARD PACK	
		OD (mm)	Pc./Box	Pc./Carton
177	PRCB 192ADL	19	10	280
178	PRCB 202ADL	20	10	280
179	PRCB 252ADL	25	10	280
180	PRCB 322ADL	32	10	280

#### ANGLE - 2 WAY

## PP CIRCULAR BOX WITH LID & SCREW



### CIRCULAR BOX

SR. NO.	PRODUCT CODE	SIZE	STANDARD PACK	
		OD (mm)	Pc./Box	Pc./Carton
169	PPCB194L	19	20	320
170	PPCB254L	25	15	240

#### INTERSECTION - 4 WAY (POLYPROPYLENE)

## DEEP CIRCULAR BOX



SR. NO.	PRODUCT CODE	SIZE	STANDARD PACK	
		OD (mm)	Pc./Box	Pc./Carton
181	PRCB 192SDL	19	10	200
182	PRCB 202SDL	20	10	200
183	PRCB 252SDL	25	10	200
184	PRCB 322SDL	32	10	200

#### THROUGH - 2 WAY

## PP DEEP CIRCULAR BOX WITH LID & SCREW



### DEEP CIRCULAR BOX

SR. NO.	PRODUCT CODE	SIZE	STANDARD PACK	
		OD (mm)	Pc./Box	Pc./Carton
171	PPCB194DL	19	10	220
172	PPCB254DL	25	10	220

#### INTERSECTION - 4 WAY (POLYPROPYLENE)

## DEEP CIRCULAR BOX



SR. NO.	PRODUCT CODE	SIZE	STANDARD PACK	
		OD (mm)	Pc./Box	Pc./Carton
185	PRCB 193DL	19	10	220
186	PRCB 203DL	20	10	220
187	PRCB 253DL	25	10	220
188	PRCB 323DL	32	10	160

#### TEE - 3 WAY

# ROUND CONDUIT uPVC PIPE FITTINGS

HSN : 39174000



## DEEP CIRCULAR BOX



SR. NO.	PRODUCT CODE	SIZE	STANDARD PACK	
		OD (mm)	Pc./Box	Pc./Carton
189	PRCB 194DL	19	10	220
190	PRCB 204DL	20	10	220
191	PRCB 254DL	25	10	220
192	PRCB 324DL	32	10	160

INTERSECTION - 4 WAY



## CIRCULAR BOX

SR. NO.	PRODUCT CODE	SIZE	STANDARD PACK	
		OD (mm)	Pc./Box	Pc./Carton
193	PRCB 19UL	19	20	400
194	PRCB 20UL	20	20	400
195	PRCB 25UL	25	20	400

BRANCH - 2 WAY (U)



## CIRCULAR BOX

SR. NO.	PRODUCT CODE	SIZE	STANDARD PACK	
		OD (mm)	Pc./Box	Pc./Carton
196	PRCB 19YL	19	15	300
197	PRCB 20YL	20	15	300
198	PRCB 25YL	25	15	300

BRANCH - 3 WAY (Y)



## CIRCULAR BOX

SR. NO.	PRODUCT CODE	SIZE	STANDARD PACK	
		OD (mm)	Pc./Box	Pc./Carton
199	PRCB 19HL	19	15	300
200	PRCB 20HL	20	15	300
201	PRCB 25HL	25	15	300

BRANCH - 4 WAY (H)



## CIRCULAR BOX

SR. NO.	PRODUCT CODE	SIZE	STANDARD PACK	
		OD (mm)	Pc./Box	Pc./Carton
202	PRCB 201 BOL	20	20	400
203	PRCB 251 BOL	25	15	300

BACK OUTLET - 1 WAY

## CIRCULAR BOX



SR. NO.	PRODUCT CODE	SIZE	STANDARD PACK	
		OD (mm)	Pc./Box	Pc./Carton
204	PRCB 202S BOL	20	15	300
205	PRCB 252S BOL	25	15	240

BACK OUTLET THROUGH - 2 WAY

## CIRCULAR BOX



SR. NO.	PRODUCT CODE	SIZE	STANDARD PACK	
		OD (mm)	Pc./Box	Pc./Carton
206	PRCB 202A BOL	20	15	300
207	PRCB 252A BOL	25	15	240

BACK OUTLET ANGLE - 2 WAY

## CIRCULAR BOX



SR. NO.	PRODUCT CODE	SIZE	STANDARD PACK	
		OD (mm)	Pc./Box	Pc./Carton
208	PRCB 203 BOL	20	15	300
209	PRCB 253 BOL	25	15	240

BACK OUTLET TEE - 3 WAY

## CIRCULAR EXTENSION RING



SR. NO.	PRODUCT CODE	SIZE	STANDARD PACK	
		OD (mm)	Pc./Box	Pc./Carton
210	PRER 20	20	50	800
211	PRER 25	25	40	640

## LOOP IN BOX



SR. NO.	PRODUCT CODE	SIZE	STANDARD PACK	
		OD (mm)	Pc./Box	Pc./Carton
212	PRLB 19	19 (4 punch)	20	400
213	PRLB 20	20 (4 punch)	20	400
214	PRLB 25	25 (2 punch)	20	400

## LOOP IN BOX EXTENSION



SR. NO.	PRODUCT CODE	SIZE	STANDARD PACK	
		OD (mm)	Pc./Box	Pc./Carton
215	PRLB 20E	20	24	384



## COUPLER

SR. NO.	PRODUCT CODE	SIZE	STANDARD PACK	
		OD (mm)	Pc./Box	Pc./Carton
216	PCR 19	19	100	2000
217	PCR 20	20	100	2000
218	PCR 20 L	20 Long	150	2400
219	PCR 25	25	100	2000
220	PCR 32	32	60	960
221	PCR 40	40	30	480
222	PCR 50	50	20	320



## SLIP TYPE BEND

SR. NO.	PRODUCT CODE	SIZE	STANDARD PACK	
		OD (mm)	Pc./Box	Pc./Carton
231	PRBN 19	19	65	1040
232	PRBN 20	20	65	1040
233	PRBN 25	25	35	560
234	PRBN 32	32	20	320
235	PRBN 40	40	10	160
236	PRBN 50	50	5	80



## REDUCER COUPLER

SR. NO.	PRODUCT CODE	SIZE	STANDARD PACK	
		OD (mm)	Pc./Box	Pc./Carton
223	PRR1	25 > 20	250	4000

(PIPE TO FITTING)



## SLIP TYPE LONG BEND

SR. NO.	PRODUCT CODE	SIZE	STANDARD PACK	
		OD (mm)	Pc./Box	Pc./Carton
237	PRBL 20	20	45	720
238	PRBL 25	25	20	320
239	PRBL 32	32	10	160
240	PRBL 40	40	-	80
241	PRBL 50	50	-	55



## REDUCER COUPLER

SR. NO.	PRODUCT CODE	SIZE	STANDARD PACK	
		OD (mm)	Pc./Box	Pc./Carton
224	PRR 2520	25 > 20	70	1400
225	PRR 3220	32 > 20	60	1200
226	PRR 3225	32 > 25	40	800
227	PRR 4020	40 > 20	48	960
228	PRR 4032	40 > 32	32	640
229	PRR 5032	50 > 32	30	480
230	PRR 5040	50 > 40	30	480

(PIPE TO PIPE)



## SPACE BAR SADDLE

SR. NO.	PRODUCT CODE	SIZE	STANDARD PACK	
		OD (mm)	Pc./Box	Pc./Carton
242	PRBS 19	19	100	2000
243	PRBS 20	20	100	2000
244	PRBS 25	25	100	2000
245	PRBS 32	32	100	1600
246	PRBS 40	40	80	1280
247	PRBS 50	50	60	960
248	PRBS 63	63	-	50

## SADDLE STRAP



SR. NO.	PRODUCT CODE	SIZE	STANDARD PACK	
		OD (mm)	Pc./Box	Pc./Carton
249	PRSS 19	19	100	2000
250	PRSS 20	20	100	2000
251	PRSS 25	25	100	2000
252	PRSS 32	32	100	1600
253	PRSS 40	40	80	1280
254	PRSS 50	50	60	960

## SELF LOCKING SADDLE CLIP



SR. NO.	PRODUCT CODE	SIZE	STANDARD PACK	
		OD (mm)	Pc./Box	Pc./Carton
255	PPSC20SL	20	75	450
256	PPSC25SL	25	50	300

(POLYPROPYLENE)

## ROUND 'U' CLIP



SR. NO.	PRODUCT CODE	SIZE	STANDARD PACK	
		OD (mm)	Pc./Box	Pc./Carton
257	PRUC 20	20	200	4000
258	PRUC 25	25	100	3000

## END CAP



SR. NO.	PRODUCT CODE	SIZE	STANDARD PACK	
		OD (mm)	Pc./Box	Pc./Carton
259	PREC 20	20	150	3000
260	PREC 25	25	100	2000
261	PREC 32	32	70	1400
262	PREC 40	40	32	640
263	PREC 50	50	24	480

## MALE BUSH ADAPTOR



SR. NO.	PRODUCT CODE	SIZE	STANDARD PACK	
		OD (mm)	Pc./Box	Pc./Carton
264	PMBA 19	19	100	2000
265	PMBA 20	20	100	2000
266	PMBA 25	25	100	2000

## FEMALE BUSH ADAPTOR



SR. NO.	PRODUCT CODE	SIZE	STANDARD PACK	
		OD (mm)	Pc./Box	Pc./Carton
267	PFBA 19	19	100	2000
268	PFBA 20	20	100	2000
269	PFBA 25	25	100	2000
270	PFBA 32	32	75	1200
271	PFBA 40	40	50	800
272	PFBA 50	50	25	400

## ROUND ELBOW



SR. NO.	PRODUCT CODE	SIZE	STANDARD PACK	
		OD (mm)	Pc./Box	Pc./Carton
273	PRE 20	20	125	2500
274	PRE 25	25	75	1200
275	PRE 32	32	20	400
276	PRE 40	40	15	300
277	PRE 50	50	10	200

## ROUND TEE



SR. NO.	PRODUCT CODE	SIZE	STANDARD PACK	
		OD (mm)	Pc./Box	Pc./Carton
278	PRT 20	20	50	1500
279	PRT 25	25	50	800
280	PRT 32	32	15	300
281	PRT 40	40	10	200
282	PRT 50	50	10	160

## INSPECTION ELBOW



SR. NO.	PRODUCT CODE	SIZE	STANDARD PACK	
		OD (mm)	Pc./Box	Pc./Carton
283	PIE 20	20	20	600
284	PIE 25	25	20	400

# ROUND CONDUIT UPVC PIPE FITTINGS

HSN : 39174000



## INSPECTION TEE



SR. NO.	PRODUCT CODE	SIZE	STANDARD PACK	
		OD (mm)	Pc./Box	Pc./Carton
285	PIT 20	20	20	600
286	PIT 25	25	20	400

## INSPECTION BEND



SR. NO.	PRODUCT CODE	SIZE	STANDARD PACK	
		OD (mm)	Pc./Box	Pc./Carton
287	PIB 20	20	20	600
288	PIB 25	25	20	400

## ADAPTABLE BOX WITH LID



SR. NO.	PRODUCT CODE	SIZE	STANDARD PACK	
		OD (mm)	Pc./Box	Pc./Carton
289	PAB 75L	3" x 3" x 2" 75x75x50	10	200
290	PAB 110L	4" x 4" x 3" 110x110x75	-	100
291	PAB 160L	6" x 4" x 3" 160x110x75	-	75
292	PAB 160SL	6" x 6" x 3" 160x160x75	-	50
293	PAB 225SL	9" x 9" x 3" 225x225x75	-	20
294	PAB 300SL	12" x 12" x 4" 300x300x110	-	5

## SURFACE SWITCH BOX



SR. NO.	PRODUCT CODE	SIZE	STANDARD PACK	
		OD (mm)	Pc./Box	Pc./Carton
295	PSB1	3" x 3"	10	300
296	PSB2	6" x 3"	10	200

(WHITE)

## SWITCH BOX LID



SR. NO.	PRODUCT CODE	SIZE	STANDARD PACK	
		OD (mm)	Pc./Box	Pc./Carton
297	PSBL1 LID	3" x 3"	40	1200
298	PSBL2 LID	6" x 3"	25	750

(WHITE)

## FLUSH MOUNTED



SR. NO.	PRODUCT CODE	SIZE	STANDARD PACK	
		OD (mm)	Pc./Box	Pc./Carton
299	PFSB1	3" x 3" x 2"	10	200
300	PFSB2	6" x 3" x 2"	10	160

(SWITCH BOX)

## FAN BOX



SR. NO.	PRODUCT CODE	SIZE	STANDARD PACK	
		OD (mm)	Pc./Box	Pc./Carton
301	PRFB20	20 Standard	10	220
302	PRFB25	25 Standard	10	220
303	PRFB20SL	20 Large	10	140
304	PRFB25SL	25 Large	10	140
305	PRFBRD2025	20/25 with Rod	1	28
306	PRFBRD25	25 with Rod	1	28

(BLACK)

## METAL FAN BOX



SR. NO.	PRODUCT CODE	SIZE	STANDARD PACK	
		OD (mm)	Pc./Box	Pc./Carton
307	PMFB 2025	20/25	2	40

WITH ROD (BROWN)

HSN : 73072900

## UPVC SOLVENT CEMENT



SR. NO.	PRODUCT CODE	SIZE (ml)	STANDARD PACK	Pc./Box	Pc./Carton
			Colour		
308	PSC100 ML	100ml	Transparent	24	144
309	PSC250 ML	250ml	Transparent	24	96
310	PSC500 ML	500ml	Transparent	12	48
311	PSC1L	1L	Transparent	6	24
312	PSC5L	5L	Transparent	-	6

HSN: 35061000

## PVC ELECTRICAL INSULATION TAPE



SR. NO.	PRODUCT CODE	SIZE	STANDARD PACK	
		W(mm)xL(Mtr)	Pc./Box	Pc./Carton
313	PPIT 18	18x6	30	540

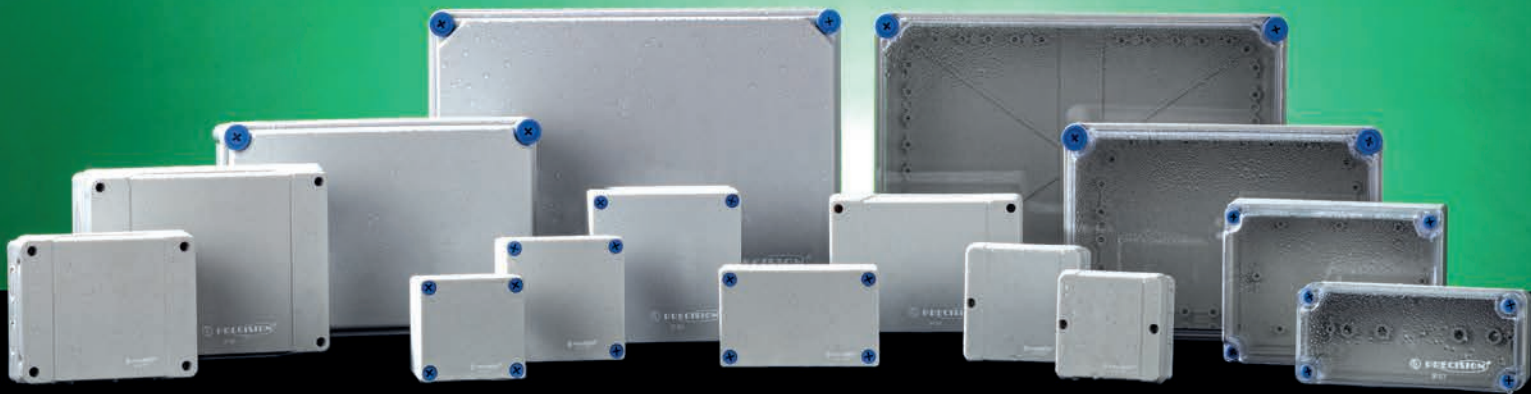
HSN : 85469090

\* 20mm Knockout Available    Δ 32/38/40mm Knockout Available  
 ≠ 20/25 Knockout Available    ◇ 50mm Knockout Available



## ALL WEATHER BOXES

**Precision All Weather Boxes** are manufactured from high quality impact resistant Engineering Thermoplastics (Polycarbonate / ABS). The material itself is self-extinguishing and our specially developed formulation gives it special ability to withstand high temperatures. The product passes stringent IP 67 standard requirements which makes it suitable to use indoor and outdoor in harsh environment. Our specially made design gives it highest level of safety from unwanted ingress of oil / water / any other solid waste.







## Applications

Enclosure boxes for electrical installations.  
Suitable for Outdoor / Indoor environment.

## Features

- IP 67 compliance, suitable for Outdoor Installations (CIPET tested)
- Specially formulated Engineering Thermoplastic (Polycarbonate / ABS) gives temperature protection ranging from  $-40^{\circ}\text{C}$  to  $+90^{\circ}\text{C}$
- Weatherproof, Dust proof and Impact resistant
- Transparent lids ensure enhanced visibility
- Innovative design makes compatible for various types of Switchgears / Electrical components
- Body part with adequate molded markings for easy cable entry location from all sides
- Various sizes available as per individual choice
- Screws supplied are made up of anti-rust SS / Engineering Plastic for corrosion free working and durability as well.



# ALL WEATHER BOXES

IP 67 HSN: 85381010

GREY

## ALL WEATHER BOXES OPAQUE LID (ABS)



Sr No.	Product Code	Size (mm)	Standard Pack (Pc/Carton)
314	PAB 8383OL	83 x 83 x 65	21
315	PAB 8888OL	88 x 88 x 53	27
316	PAB 9898OL	98 x 98 x 61	24
317	PAB 100100OL	100 x 100 x 65	21
318	PAB 13080OL	130 x 80 x 65	16
319	PAB 130130OL	130 x 130 x 80	16
320	PAB 139119OL	139 x 119 x 70	10
321	PAB 167125OL	167 x 125 x 82	12
322	PAB 18080OL	180 x 80 x 90	12
323	PAB 1801OL	180 x 130 x 75	16
324	PAB 1802OL	180 x 130 x 100	12
325	PAB 180180OL	180 x 180 x 100	20
326	PAB 200160OL	200 x 160 x 98	8
327	PAB 210190OL	210 x 190 x 100	6
328	PAB 27080OL	270 x 80 x 90	12
329	PAB 280190OL	280 x 190 x 130	4
330	PAB 280280OL	280 x 280 x 130	2
331	PAB 380190OL	380 x 190 x 130	3
332	PAB 380280OL	380 x 280 x 130	2
333	PAB 560380OL	560 x 380 x 180	2

⊗ With Knockout

## ALL WEATHER BOXES TRANSPARENT LID (ABS)



Sr No.	Product Code	Size (mm)	Standard Pack (Pc/Carton)
334	PAB 18080TL	180 x 80 x 90	12
335	PAB 27080TL	270 x 80 x 90	12
336	PAB 180130TL	180 x 130 x 100	12
337	PAB 180180TL	180 x 180 x 100	20
338	PAB 210190TL	210 x 190 x 130	6
339	PAB 280190TL	280 x 190 x 130	4
340	PAB 280280TL	280 x 280 x 130	2
341	PAB 380190TL	380 x 190 x 130	3
342	PAB 380380TL	380 x 280 x 130	2
343	PAB 560380TL	560 x 380 x 180	2

## PG GLANDS (PP)

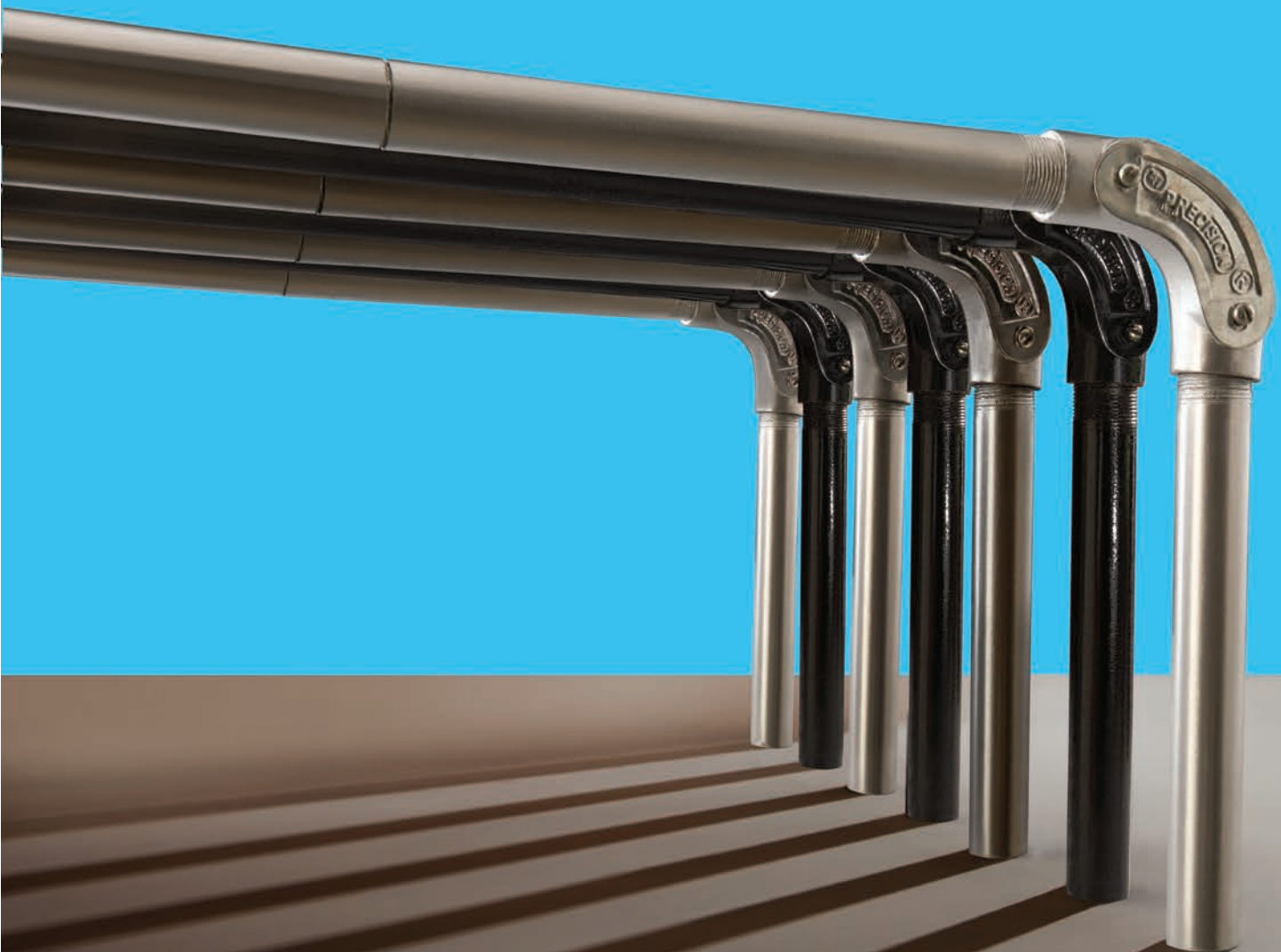


Sr No.	Product Code	Size (mm)	Standard Pack (Pc/Carton)
344	PPPG 7GL	7	600
345	PPPG 9GL	9	320
346	PPPG 11GL	11	240
347	PPPG 13.5GL	13.5	300
348	PPPG 16GL	16	240
349	PPPG 19GL	19	180
350	PPPG 21GL	21	120
351	PPPG 25GL	25	120



## G.I. & M.S. CONDUIT PIPES & FITTINGS

**Precision G.I & M.S. Conduit Pipes** are manufactured from rigorously tested raw material, in accordance with IS 9537 Part- 2. G.I. Conduit Pipes are coated at a hot dipped galvanising plant in which iron or steel is coated with a layer of zinc. This coating makes the conduit safe and durable for industrial installations, coastal line atmosphere & thermal power stations. M.S. Conduit Pipes are treated and coated with paint.





## Applications

Channelising electrical surface wiring and cable ducting.

## Features



Anti - Rust Coat



Good Finish



Easy to cut



High resistance  
to Corrosion

**G. I. - Silver**



**M. S. - Black**



### DIMENSIONS OF G.I. & M.S. CONDUIT PIPES

NORMAL SIZE	OUTSIDE DIAMETER	TOLERANCE OD	WALL THICKNESS	WALL THICKNESS TOLERANCE
MM	MM	MM	MM	MM
20	20	0 - 0.3	1.60	± 0.2
25	25	0 - 0.4	1.60	± 0.2
32	32	0 - 0.4	1.60	± 0.2
40	40	0 - 0.4	2.00	+ 0.2 - 0.4
50	50	0 - 0.4	2.00	+ 0.2 - 0.4

# G.I. & M.S. CONDUIT PIPES

HSN : 73069090



## G.I. CONDUIT PIPES



SR. NO.	PRODUCT CODE	SIZE	STANDARD PACK	
		OD (mm)	Pc./Mtr	Mtr./Bdl.
352	PGIC 20	20	26 x 3m	78
353	PGIC 25	25	21 x 3m	63
354	PGIC 32	32	16 x 3m	48
355	PGIC 40	40	10 x 3m	30
356	PGIC 50	50	5 x 3m	15

- COLOUR: SILVER

## M.S. CONDUIT PIPES



SR. NO.	PRODUCT CODE	SIZE	STANDARD PACK	
		OD (mm)	Pc./Mtr	Mtr./Bdl.
357	PMSC 20	20	26 x 3m	78
358	PMSC 25	25	21 x 3m	63
359	PMSC 32	32	16 x 3m	48
360	PMSC 40	40	10 x 3m	30
361	PMSC 50	50	5 x 3m	15

- COLOUR: BLACK

# G.I. & M.S. CONDUIT PIPE FITTINGS

HSN : 73269099



## CIRCULAR BOX WITH LID AND SCREW

### G.I. CIRCULAR BOX



SR. NO.	PRODUCT CODE	SIZE	STANDARD PACK	
		OD (mm)	Pc./Box	Pc./Carton
362	PGIB 251	25	20	200

TERMINAL - 1 WAY (SCREW TYPE)

### M.S. CIRCULAR BOX



SR. NO.	PRODUCT CODE	SIZE	STANDARD PACK	
		OD (mm)	Pc./Box	Pc./Carton
366	PMSB 202S	20	20	200
367	PMSB 252S	25	20	200

THROUGH - 2 WAY (SCREW TYPE)

### M.S. CIRCULAR BOX



SR. NO.	PRODUCT CODE	SIZE	STANDARD PACK	
		OD (mm)	Pc./Box	Pc./Carton
363	PMSB 201	20	20	200
364	PMSB 251	25	20	200

TERMINAL - 1 WAY (SCREW TYPE)

### G.I. CIRCULAR BOX



SR. NO.	PRODUCT CODE	SIZE	STANDARD PACK	
		OD (mm)	Pc./Box	Pc./Carton
368	PGIB 253	20	20	200

TEE - 3 WAY (SCREW TYPE)

### G.I. CIRCULAR BOX



SR. NO.	PRODUCT CODE	SIZE	STANDARD PACK	
		OD (mm)	Pc./Box	Pc./Carton
365	PGIB 252S	25	20	200

THROUGH - 2 WAY (SCREW TYPE)

### M.S. CIRCULAR BOX



SR. NO.	PRODUCT CODE	SIZE	STANDARD PACK	
		OD (mm)	Pc./Box	Pc./Carton
369	PMSB 203	20	20	200
370	PMSB 253	25	20	200

TEE - 3 WAY (SCREW TYPE)

# G.I. & M.S. CONDUIT PIPE FITTINGS

HSN : 73269099



## G.I. CIRCULAR BOX



SR. NO.	PRODUCT CODE	SIZE	STANDARD PACK	
		OD (mm)	Pc./Box	Pc./Carton
371	PGIB 254	25	20	200

INTERSECTION - 4 WAY (SCREW TYPE)

## M.S. INSPECTION BEND



SR. NO.	PRODUCT CODE	SIZE	STANDARD PACK	
		OD (mm)	Pc./Box	Pc./Carton
375	PMS 25IBT	25	20	200

(THREAD TYPE)

## M.S. CIRCULAR BOX



SR. NO.	PRODUCT CODE	SIZE	STANDARD PACK	
		OD (mm)	Pc./Box	Pc./Carton
372	PMSB 204	20	20	200
373	PMSB 254	25	20	200

INTERSECTION - 4 WAY (SCREW TYPE)

## M.S. INSPECTION BEND



SR. NO.	PRODUCT CODE	SIZE	STANDARD PACK	
		OD (mm)	Pc./Box	Pc./Carton
376	PMS 20IBS	20	20	200
377	PMS 25IBS	25	20	200

(SCREW TYPE)

## G.I. INSPECTION BEND



SR. NO.	PRODUCT CODE	SIZE	STANDARD PACK	
		OD (mm)	Pc./Box	Pc./Carton
374	PGI 25IBT	25	20	200

(THREAD TYPE)

## M.S. NORMAL BEND



SR. NO.	PRODUCT CODE	SIZE	STANDARD PACK	
		OD (mm)	Pc./Box	Pc./Carton
378	PMS 25NBIT	25	12	144

INTERNAL THREAD

## **uPVC MINI/MAXI TRUNKING PROFILE & FITTINGS**

### **Precision uPVC Mini/Maxi Trunking Profile & Fittings**

are manufactured from high impact unplasticised polyvinyl chloride (uPVC) grade material capable of withstanding the most hazardous conditions on-site and exceeds the most stringent requirements of Indian and International standards.

The product range brings a whole new world of sophistication and convenience to home, office and commercial establishments and is in accordance with Indian Standard IS 14927 - Part 2 and BS EN 50085 -2-1. Mini Trunking Profile are also available with self-fixing tape for instant and easy installation. Clip on lid provides security while allowing easy maintenance.

Precision uPVC Maxi Trunking Profile Cable Management System is designed for convenience and safety with compartments for separate wiring applications. Maxi Trunking Profile Fittings are available in moulded and fabricated form, thus adding a sleek touch to your interiors.





## Applications

To organize and protect cables on surface.

## Features



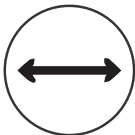
Easy and quick  
installation



Secure &  
Elegant look



Fire retardant



Various Diameters  
& Grades



Durable & Impact  
Resistant



Thermal resistant  
(-5° C to +60° C)





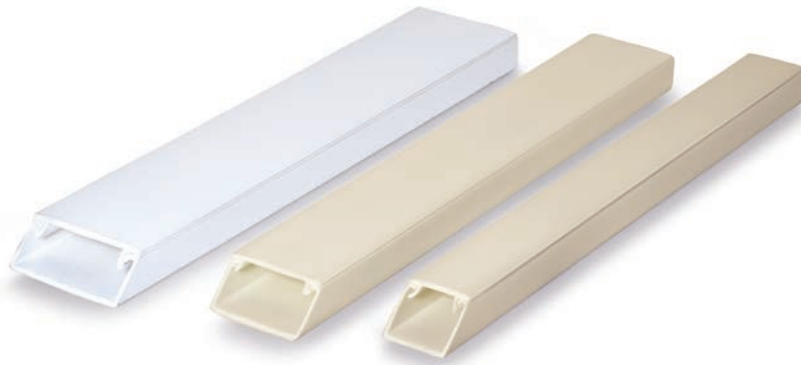
# uPVC MINI / MAXI TRUNKING PROFILE

CE FR HSN: 39162019

IVORY

WHITE

## uPVC MINI TRUNKING PROFILE



SR. NO.	PRODUCT CODE	SIZE (WxH)	STANDARD PACK	
		(mm)	Pc./Mtr	Mtr / Bdl
379	PT2012	20 x 12	100 x 2m	200
380	PT2512	25 x 12	100 x 2m	200
381	PT3015	30 x 15	100 x 2m	200
382	PT3212	32 x 12	100 x 2m	200
383	PT1616	16 x 16	100 x 2m	200
384	PT2516	25 x 16	100 x 2m	200
385	PT3216	32 x 16	100 x 2m	200
386	PT3816	38 x 16	50 x 2m	100
387	PT3825	38 x 25	50 x 2m	100
388	PT3838	38 x 38	25 x 2m	50
389	PT5016	50 x 16	50 x 2m	100

(IVORY/WHITE)

## uPVC MAXI TRUNKING PROFILE



SR. NO.	PRODUCT CODE	SIZE (WxH)	STANDARD PACK	
		(mm)	Pc./Mtr	Mtr / Bdl
390	PT5050	50 x 50	20 x 2m	40
391	PT7550	75 x 50	12 x 2m	24
392	PT7575	75 x 75	9 x 2m	18
393	PT10050	100 x 50	10 x 2m	20
394	PT100100	100 x 100	6 x 2m	12
395	PT15050	150 x 50	5 x 2m	10
396	PT150100	150 x 100	4 x 2m	8

(WHITE)



## uPVC MAXI TRUNKING PROFILE DIVIDER

SR. NO.	PRODUCT CODE	SIZE (WxH)	STANDARD PACK	
		(mm)	Pc./Mtr	Mtr / Bdl
397	PMTD	Standard	50 x 2m	100

∞ 100 x 50

(WHITE)

# UPVC MINI / MAXI TRUNKING PROFILE FITTINGS (MOULDED)

HSN: 39174000



## COUPLER

SR. NO.	PRODUCT CODE	SIZE (W x H) (mm)	STANDARD PACK Pc./Box
398	PTC 2012	20 x 12	100
399	PTC 2512	25 x 12	100
400	PTC 3212	32 x 12	100
401	PTC 1616	16 x 16	100
402	PTC 3816	38 x 16	50
403	PTC 3825	38 x 25	50
404	PTC 10050	100 x 50(W)	10



## INTERNAL BEND

SR. NO.	PRODUCT CODE	SIZE (W x H) (mm)	STANDARD PACK Pc./Box
419	PTI 2512	25 x 12	100
420	PTI 3212	32 x 12	100
421	PTI 1616	16 x 16	100
422	PTI 3816	38 x 16	100
423	PTI 3825	38 x 25	50
424	PTI 10050	100 x 50(W)	10



## ELBOW

SR. NO.	PRODUCT CODE	SIZE (W x H) (mm)	STANDARD PACK Pc./Box
405	PTB 2012	20 x 12	100
406	PTB 2512	25 x 12	100
407	PTB 3212	32 x 12	100
408	PTB 1616	16 x 16	100
409	PTB 3816	38 x 16	100
410	PTB 3825	38 x 25	100
411	PTB 10050	100 x 50(W)	10



## EXTERNAL BEND

SR. NO.	PRODUCT CODE	SIZE (W x H) (mm)	STANDARD PACK Pc./Box
425	PTE 2512	25 x 12	100
426	PTE 3212	32 x 12	100
427	PTE 1616	16 x 16	100
428	PTE 3816	38 x 16	100
429	PTE 3825	38 x 25	50
430	PTE 10050	100 x 50(W)	10



## TEE

SR. NO.	PRODUCT CODE	SIZE (W x H) (mm)	STANDARD PACK Pc./Box
412	PTT 2012	20 x 12	100
413	PTT 2512	25 x 12	50
414	PTT 3212	32 x 12	50
415	PTT 1616	16 x 16	100
416	PTT 3816	38 x 16	50
417	PTT 3825	38 x 25	50
418	PTT 10050	100 x 50(W)	10



## 4 - WAY

SR. NO.	PRODUCT CODE	SIZE (W x H) (mm)	STANDARD PACK Pc./Box
431	PTW3212	32 x 12	50



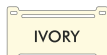
## END CAP

SR. NO.	PRODUCT CODE	SIZE (W x H) (mm)	STANDARD PACK Pc./Box
432	PMTC 100	100 x 50(W)	50

ABS

# UPVC MINI / MAXI TRUNKING PROFILE FITTINGS (MOULDED)

HSN: 39174000



## JUNCTION LINKER

SR. NO.	PRODUCT CODE	SIZE (W x H)	STANDARD PACK	
		(mm)	Pc./Box	Pc./Carton
433	PTJL7575	Standard	25	500

(POLY PROPYLENE)



## SURFACE SWITCH BOX

SR. NO.	PRODUCT CODE	SIZE (W x H)	STANDARD PACK	
		(mm)	Pc./Box	Pc./Carton
434	PTSB1	3"x3" (W)	10	300
435	PTSB2	6"x3" (W)	10	200

- TRUNKING KNOCKOUT

\$ 16 x 16, 25 x 16 Knockout Available (W) - White

# UPVC MINI / MAXI TRUNKING PROFILE FITTINGS (FABRICATED)

HSN: 39174000



## ELBOW

SR. NO.	PRODUCT CODE	SIZE (W x H) (mm)	STANDARD PACK Pc./Bag
436	PMTL50	50 x 50	5
437	PMTL751	75 x 50	5
438	PMTL752	75 x 75	5
439	PMTL1002	100 x 100	5
440	PMTL1501	150 x 50	5



## TEE

SR. NO.	PRODUCT CODE	SIZE (W x H) (mm)	STANDARD PACK Pc./Bag
441	PMTT50	50 x 50	5
442	PMTT751	75 x 50	5
443	PMTT752	75 x 75	5
444	PMTT1002	100 x 100	5
445	PMTT1501	150 x 50	5



## EXTERNAL ANGLE

SR. NO.	PRODUCT CODE	SIZE (W x H) (mm)	STANDARD PACK Pc./Bag
451	PMTE50	50 x 50	5
452	PMTE751	75 x 50	5
453	PMTE752	75 x 75	5
454	PMTE1002	100 x 100	5
455	PMTE1501	150 x 50	5



## END CAP

SR. NO.	PRODUCT CODE	SIZE (W x H) (mm)	STANDARD PACK Pc./Bag
456	PFTC50	50 x 50	5
457	PFTC751	75 x 50	5
458	PFTC752	75 x 75	5
459	PFTC1002	100 x 100	5
460	PFTC1501	150 x 50	5

## INTERNAL ANGLE



SR. NO.	PRODUCT CODE	SIZE (W x H) (mm)	STANDARD PACK Pc./Bag
446	PMTI50	50 x 50	5
447	PMTI751	75 x 50	5
448	PMTI752	75 x 75	5
449	PMTI1002	100 x 100	5
450	PMTI1501	150 x 50	5

## **METALLIC CABLE MANAGEMENT SYSTEM**

Precision after serving India and overseas markets all these years in routing wires through our conduits, we have launched metallic cable management system to route HT/ LT/ LV cables through our Perforated, Ladder & Trunking cable tray with accessories.





**It comes in 3 major categories as follows.**

- a) Trunking Cable Tray (TCT) and Fittings
- b) Perforated Cable Tray (PCT) and Fittings
- c) Ladder Cable Tray (LCT) and Fittings

**All above categories are further divided in various finishes such as**

- i) Hot Dip Galvanized (HDG)
- ii) Powder Coated (PC)
- iii) Enamel Painted (EP)
- iv) Pre-Galvanized Sheets (PG)

## **Applications**

**Metallic Cable Management System for HT/ LT/ LV cables suitable for Indoor and Outdoor environment.**

## **Features**

- Available in different Thicknesses ranging from 1.6 mm to 3.0 mm
- Various Width x Height sizes available to make it cost effective
- Choice of Finishes / Raw Materials available as per individual requirements
- Available in standard length of 2.5 Mtr
- Once fixed, it is absolutely Maintenance Free
- Availability of lids makes it easy to open in case of future work at later stage
- All raw material used is of IS grade
- Complimentary 2 nos of Coupler Plates & Nut-Bolts with each Cable Tray
- Suitable Fittings available in all categories of Cable Tray
- Hot dip Galvanizing comes with 65  $\mu\text{m}$  as standard Zinc coating.
- For humid and corrosive environment 80 / 120  $\mu\text{m}$  coating is also available as per requirements.

# METALLIC CABLE MANAGEMENT SYSTEM

HSN : 73089090

## TRUNKING CABLE TRAY (TCT)



Sr No	Size W x H (mm)	Cover W x H (mm)	Standard Length (Mtr)	Standard Pack (Pc)
461	50 x 38	55 x 12	2.5	1
462	50 x 50	55 x 12	2.5	1
463	100 x 50	105 x 12	2.5	1
464	150 x 50	155 x 12	2.5	1
465	200 x 50	205 x 12	2.5	1
466	300 x 50	305 x 12	2.5	1
467	450 x 50	455 x 12	2.5	1
468	600 x 50	605 x 12	2.5	1
469	100 x 70	105 x 12	2.5	1
470	150 x 75	155 x 12	2.5	1
471	200 x 75	205 x 12	2.5	1
472	300 x 75	305 x 12	2.5	1
473	450 x 75	455 x 12	2.5	1
474	600 x 75	605 x 12	2.5	1

## ACCESSORIES FOR TRUNKING CABLE TRAY (TCT)



Sr No	Fitting	Type	Standard Pack (Pc)
475	45° Bend	Horizontal	1
476	45° Bend	Vertical	1
477	90° Bend	Horizontal	1
478	90° Bend	Vertical	1
479	Tee joint	Equal	1
480	Tee joint	Unequal	1
481	Reducer joint	Concentric	1
482	Reducer joint	Eccentric	1
483	4 way Cross joint	Equal	1
484	4 way Cross joint	Unequal	1

**All above sizes are available:**

In 1.60mm, 2.0 mm, 2.50mm and 3.0mm thickness also.

In HR / CRCA / Pre - Galvanised / Aluminum material also.

In Hot dip Galvanised / Powder Coated / Painted / Pre - Galvanised finishes also.

All above fittings are available for TCT range from 50 x 38 mm to 600 x 75 mm.

# METALLIC CABLE MANAGEMENT SYSTEM

HSN : 73089090

## PERFORATED CABLE TRAY (PCT)



Sr No	Size: W x H (mm)	Standard Length (Mtr)	Standard Pack (Pc)
485	50 x 50	2.5	1
486	100 x 50	2.5	1
487	150 x 50	2.5	1
488	200 x 50	2.5	1
489	300 x 50	2.5	1
490	450 x 50	2.5	1
491	600 x 50	2.5	1
492	100 x 75	2.5	1
493	150 x 75	2.5	1
494	200 x 75	2.5	1
495	300 x 75	2.5	1
496	450 x 75	2.5	1
497	600 x 75	2.5	1
498	150 x 100	2.5	1
499	200 x 100	2.5	1
500	300 x 100	2.5	1
501	450 x 100	2.5	1
502	600 x 100	2.5	1

## ACCESSORIES FOR PERFORATED CABLE TRAY (PCT)



Sr No	Fitting	Type	Standard Pack (Pc)
503	45° Bend	Horizontal	1
504	45° Bend	Vertical	1
505	90° Bend	Horizontal	1
506	90° Bend	Vertical	1
507	Tee joint	Equal	1
508	Tee joint	Unequal	1
509	Reducer joint	Concentric	1
510	Reducer joint	Eccentric	1
511	4 way Cross joint	Equal	1
512	4 way Cross joint	Unequal	1

**All above sizes are available:**

In 1.60mm, 2.0 mm, 2.50mm and 3.0mm thickness also.

In HR / CRCA / Pre - Galvanised / Aluminum material also.

In Hot dip Galvanised / Powder Coated / Painted / Pre - Galvanised finishes also.

Covers are available for Perforated Cable Tray also.

All above fittings are available for PCT range from 50 x 50 mm to 600 x 100 mm.

# METALLIC CABLE MANAGEMENT SYSTEM

HSN : 73089090

## LADDER CABLE TRAY (LCT)

Sr No	Size: W x H (mm)	Standard Length (Mtr)	Standard Pack (Pc)
513	100 x 50	2.5	1
514	150 x 50	2.5	1
515	200 x 50	2.5	1
516	300 x 50	2.5	1
517	450 x 50	2.5	1
518	600 x 50	2.5	1
519	750 x 50	2.5	1
520	900 x 50	2.5	1
521	1000 x 50	2.5	1
522	100 x 75	2.5	1
523	150 x 75	2.5	1
524	200 x 75	2.5	1
525	300 x 75	2.5	1
526	450 x 75	2.5	1
527	600 x 75	2.5	1
528	750 x 75	2.5	1
529	900 x 75	2.5	1
530	1000 x 75	2.5	1
531	1200 x 75	2.5	1
532	1500 x 75	2.5	1
533	150 x 100	2.5	1
534	200 x 100	2.5	1
535	300 x 100	2.5	1
536	450 x 100	2.5	1
537	600 x 100	2.5	1
538	750 x 100	2.5	1
539	900 x 100	2.5	1
540	1000 x 100	2.5	1
541	1200 x 100	2.5	1
542	1500 x 100	2.5	1





# METALLIC CABLE MANAGEMENT SYSTEM

HSN : 73089090

## ACCESSORIES FOR LADDER CABLE TRAY (LCT)



Sr No	Fitting	Type	Standard Pack (pc)
543	45° Bend	Horizontal	1
544	45° Bend	Vertical	1
545	90° Bend	Horizontal	1
546	90° Bend	Vertical	1
547	Tee joint	Equal	1
548	Tee joint	Unequal	1
549	Reducer joint	Concentric	1
550	Reducer joint	Eccentric	1
551	4 way Cross joint	Equal	1
552	4 way Cross joint	Unequal	1

**All above sizes are available:**

In 1.60mm, 2.0 mm, 2.50mm and 3.0mm thickness also.

In HR / CRCA / Pre - Galvanised / Aluminum material also.

In Hot dip Galvanised / Powder Coated / Painted / Pre - Galvanised finishes also.

Covers are available for Ladder Cable Tray also.

All above fittings are available for LCT range from 100 x 50 mm to 1500 x 100 mm.

## SLOTTED L SECTION



Sr No	Size (mm)	Standard Length (Mtr)	Standard Pack (Pc)
553	25 x 25	2.5	1
554	25 x 30	2.5	1
555	25 x 35	2.5	1
556	30 x 30	2.5	1
557	30 x 35	2.5	1
558	30 x 40	2.5	1
559	30 x 45	2.5	1
560	35 x 30	2.5	1
561	35 x 35	2.5	1
562	30 x 40	2.5	1
563	40 x 35	2.5	1
564	40 x 40	2.5	1
565	40 x 45	2.5	1
566	40 x 50	2.5	1
567	45 x 45	2.5	1
568	45 x 50	2.5	1
569	50 x 50	2.5	1

# METALLIC CABLE MANAGEMENT SYSTEM

HSN : 73089090

## SLOTTED C SECTION



Sr No	Size (mm)	Standard Length (Mtr)	Standard Pack (Pc)
570	15 x 30 x 15	2.5	1
571	15 x 35 x 15	2.5	1
572	20 x 35 x 20	2.5	1
573	25 x 35 x 25	2.5	1
574	15 x 40 x 15	2.5	1
575	20 x 40 x 20	2.5	1
576	25 x 40 x 25	2.5	1
577	15 x 50 x 15	2.5	1
578	20 x 50 x 20	2.5	1
579	25 x 50 x 25	2.5	1

## SLOTTED Z SECTION



Sr No	Size (mm)	Standard Length (Mtr)	Standard Pack (Pc)
580	25 x 25 x 25	2.5	1
581	25 x 30 x 25	2.5	1
582	30 x 30 x 30	2.5	1
583	30 x 35 x 30	2.5	1
584	30 x 40 x 30	2.5	1
585	30 x 50 x 30	2.5	1
586	35 x 30 x 35	2.5	1
587	35 x 35 x 35	2.5	1
588	35 x 40 x 35	2.5	1
589	35 x 50 x 35	2.5	1
590	40 x 35 x 40	2.5	1
591	40 x 40 x 40	2.5	1
592	45 x 40 x 45	2.5	1
593	45 x 45 x 45	2.5	1
594	45 x 50 x 45	2.5	1
595	50 x 45 x 50	2.5	1
596	50 x 50 x 50	2.5	1

**All above sizes are available:**

In 1.60mm, 2.0 mm, 2.50mm and 3.0mm thickness also.

In HR / CRCA / Pre - Galvanised / Aluminum material also.

In Hot dip Galvanised / Powder Coated / Painted / Pre - Galvanised finishes also.



## uPVC PANEL TRUNKING

**Precision uPVC Panel Trunking** is manufactured from high impact unplasticised polyvinyl chloride (uPVC) to ensure panel & machinery safety in extreme conditions. These trunkings are ideal to channelise medium, big size panels & various applications where economy, space saving, safety and durability are paramount.





## Applications

To conduct, organise and protect cables inside electrical and telecommunication panels, industrial machinery wiring, computer LAN wiring and data centers.

## Features



Fire retardant



Thermal resistant  
(-5° C to +60° C)



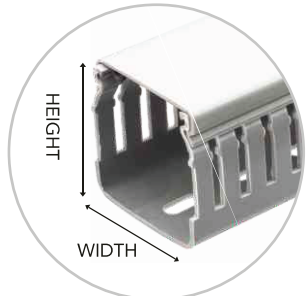
High Tensile Strength  
(390 kg/cm<sup>2</sup>)

- Non - brittle, wrap proof.
- Vertical slides and detachable strips facilitates systematic wiring, permits faster connections, additions and fault tracing of wires.
- Avoids bunching, taping and provides complete electrical insulation.
- Unique cover locking design prevents popping of wires while removing cover.
- Elongated slots at bottom allows flexible mounting.

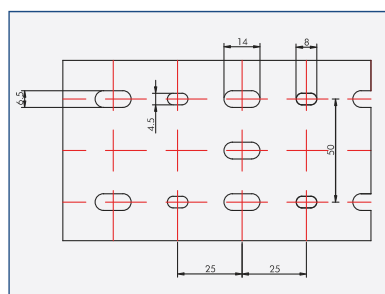
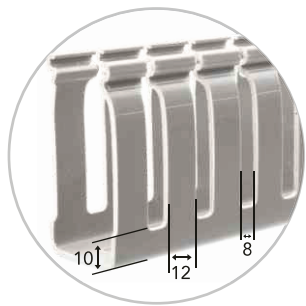




STANDARD SLOT



THIN SLOT



For Panel Trunking  
75 x 75, 100 x 75, 100 x 100  
All Dimensions are in (mm)

## OPTIMAL GRIP LID

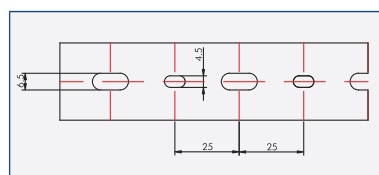
- Precision's Panel Trunking Lid design provides high capacity to sustain loads of wire in the case of a cable positioned in the centre of the duct and avoids them from riding up.
- Quick snap on/off non-slip assembly forms a firm & rigid channel.
- Interlocking lid and channel is optimised to make the system easier to install and to provide discrete routing of cables.
- Uniform grip and thickness throughout the length system with independent non-slip lid, keeps cover in place during high vibration applications.

## WALL PERFORATION RIB DESIGN

- All wall perforation ribs of Precision Panel Trunking have larger rounded slots for easy insertion of wires and cables.
- Rounded design with burr-free edges to prevent any injury to the hand of the user or to the cable insulation.

## ELONGATED MOUNTING SLOTS

- Perforated base with elongated slot allow flexible mounting and better fastening of the cables.
- Robust sections.



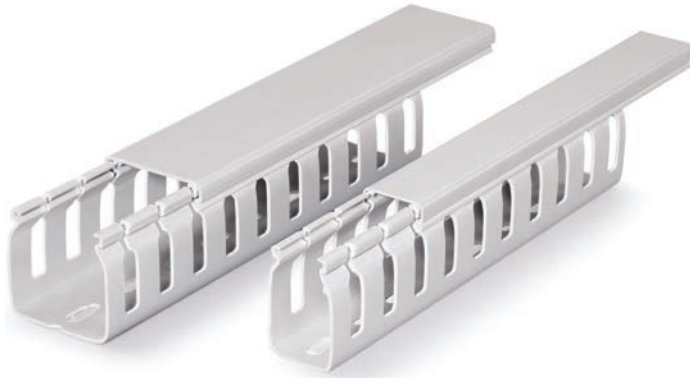
For Panel Trunking  
15 x 15, 25 x 25, 30 x 25,  
45 x 25, 45 x 45, 45 x 60,  
60 x 25, 60 x 45, 60 x 60

# UPVC PANEL TRUNKING ≈ FRLS CE

HSN : 85381010



## UPVC PANEL TRUNKING



SR. NO.	PRODUCT CODE	SIZE	STANDARD PACK	
		H x W(mm)	Pc/Mtr	Mtr/Carton
597	PPT1515	15 x 15	200 x 1m	200
598	PPT2525	25 x 25	130 x 1m	130
599	PPT3025	30 x 25	125 x 1m	125
600	PPT4525	45 x 25	90 x 1m	90
601	PPT4545	45 x 45	50 x 1m	50
602	PPT4560	45 x 60	50 x 1m	50
603	PPT6025	60 x 25	70 x 1m	70
604	PPT6040	60 x 40	60 x 1m	60
605	PPT6045	60 x 45	50 x 1m	50
606	PPT6060	60 x 60	40 x 1m	40
607	PPT7525	75 x 25	60 x 1m	60
608	PPT7575	75 x 75	30 x 1m	30
609	PPT10075	100 x 75	24 x 1m	24
610	PPT100100	100 x 100	16 x 1m	16

- STANDARD SLOT

## UPVC PANEL TRUNKING



SR. NO.	PRODUCT CODE	SIZE	STANDARD PACK	
		H x W(mm)	Pc/Mtr	Mtr/Carton
611	PPT3025TS	30 x 25	125 x 1m	125
612	PPT4525TS	45 x 25	90 x 1m	90
613	PPT4545TS	45 x 45	50 x 1m	50
614	PPT4560TS	45 x 60	50 x 1m	50
615	PPT6025TS	60 x 25	70 x 1m	70
616	PPT6040TS	60 x 40	60 x 1m	60
617	PPT6045TS	60 x 45	50 x 1m	50
618	PPT6060TS	60 x 60	40 x 1m	40

- THIN SLOT

## UPVC PANEL TRUNKING



SR. NO.	PRODUCT CODE	SIZE	STANDARD PACK	
		(mm)	Pc/Mtr	Mtr/Carton
619	PPT25T	25	100 x 1m	100
620	PPT40T	40	50 x 1m	50
621	PPT45T	45	50 x 1m	50
622	PPT60T	60	50 x 1m	50
623	PPT75T	75	25 x 1m	25
624	PPT100T	100	25 x 1m	25

-TOP COVER

## **CORRUGATED FLEXIBLE CONDUIT PIPES & FITTINGS**

### **Precision Corrugated Flexible Conduit Pipes & Fittings**

come in a wide and comprehensive range of material variants to suit a variety of applications. These conduits are manufactured in variants based on the final application for wiring purposes.





**POLYPROPYLENE FLEXIBLE CONDUITS** are the best solution for applications where resistance to constant flexing and vibration is essential, these conduits display excellent flexibility. Moreover, they are light weight and easy to install which makes them very popular. Temperature resistant from  $-5^{\circ}\text{C}$  to  $+90^{\circ}\text{C}$ .

**STEEL WIRE REINFORCED FLEXIBLE UPVC CONDUITS** are manufactured with soft polyvinyl chloride (uPVC) wall fused to high tensile steel wire in a coiled state. These conduits are unaffected by inorganic acid, alkali & saline water. Most suitable for electrical wiring in buildings, switch boards, panels, machinery, dust collectors, air dusting, exhaust of fumes, shrouds of railway coach wiring and hospital equipments. Temperature resistant from  $-5^{\circ}\text{C}$  to  $+90^{\circ}\text{C}$ .

#### **GALVANISED STEEL FLEXIBLE CONDUIT**

Precision Steel Flexible Conduit Pipes are made from galvanised steel, helical wound strips having a square lock type construction and are manufactured in accordance to Indian/British Standards in galvanized zinc coating with spiral corrugated pattern finished surface. Mostly used as low pressure hose in Industrial domestic air conditioning, ventilation systems and as mechanical protection for insulated electrical cables & wires which may be exposed to atmospheric conditions.

#### **GALVANISED STEEL FLEXIBLE CONDUIT WITH PVC COATING**

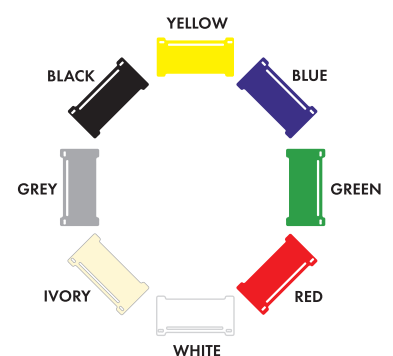
Precision PVC Coated Steel Flexible Conduit Pipes are made from galvanized steel, helical wound strips having a square lock type construction and are manufactured in accordance to Indian/British Standards in poly vinyl coating. They are available in black/grey colour with spiral corrugated pattern finished surface. Most suitable for mechanical protection of cable and wire in tunnels, hospitals, high-rise office blocks and public buildings.



Fire retardant



Corrosion Free





# CORRUGATED FLEXIBLE CONDUIT PIPES & FITTINGS

## HSN : 39173100



### DIMENSIONS OF CORRUGATED FLEXIBLE CONDUITS

Nominal Diameter (mm)	Maximum Outside Diameter (mm)	Tolerance on Outside Diameter (mm)	Minimum Inside Diameter (mm)
10	10	- 0.1	7.0
16	16	- 0.3	10.7
20	20	- 0.3	14.1
25	25	- 0.4	18.3
32	32	- 0.4	24.3
40	40	- 0.4	31.2
50	50	- 0.5	39.6
63	63	- 0.6	52.6

### (PP) POLY PROPYLENE



SR. NO.	PRODUCT CODE	SIZE	STANDARD PACK	
		OD (mm)	Mtr./Coil	Mtr./Bag
625	PCFC 10	10	100	1000
626	PCFC 16	16	50	500
627	PCFC 20	20	50	500
628	PCFC 25	25	25	250
629	PCFC 32	32	25	250
630	PCFC 40	40	20	100
631	PCFC 50	50	15	75
632	PCFC 63	63	10	50

### DIMENSIONS OF GALVANIZED STEEL FLEXIBLE CONDUIT PIPES

Nominal Size (mm)	Nominal Size (inch)	OD (mm)	ID (mm)	BENDING radius/mm
16	1/2"	15.5	12.5	40
20	3/4"	22.5	19.5	55
25	1"	28	25.0	60
32	1 1/4"	35.0	32.0	70
40	1 1/2"	42.0	38.0	80
50	2"	54.0	50.0	90

\*Tolerance: Size below 50mm, +/- 1mm & above 50mm +/- 3mm

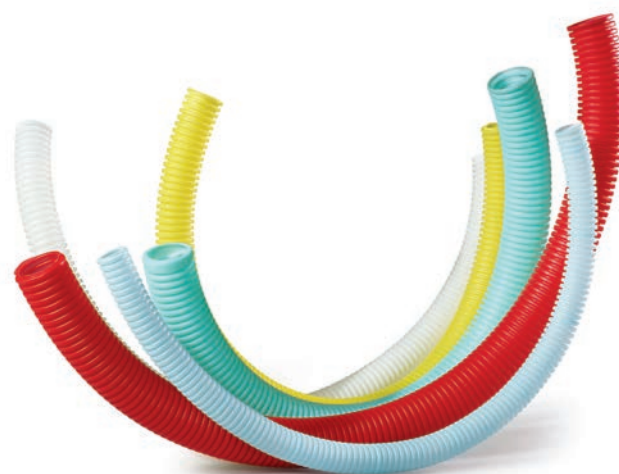


SR. NO.	PRODUCT CODE	SIZE	STANDARD PACK	
		OD (mm)	Mtr./Coil	Mtr./Bag
633	PCCL 10	10	100	1000
634	PCCL 16	16	50	500
635	PCCL 20	20	50	500
636	PCCL 25	25	25	250
637	PCCL 32	32	25	250
638	PCCL 40	40	20	100
639	PCCL 50	50	15	75
640	PCCL 63	63	10	50

### DIMENSIONS OF GALVANIZED STEEL FLEXIBLE CONDUIT PIPES WITH PVC COATING

Nominal Size (mm)	Nominal Size (inch)	OD (mm)	ID (mm)	BENDING radius/mm
16	1/2"	16.5	12.5	40
20	3/4"	23.5	19.5	55
25	1"	29	25.0	60
32	1 1/4"	36.5	32.0	70
40	1 1/2"	44.0	38.0	80
50	2"	57.0	51.0	90

\*Tolerance: Size below 50mm, +/- 1mm & above 50mm +/- 3mm



# CORRUGATED FLEXIBLE CONDUIT PIPES & FITTINGS

## CORRUGATED FLEXIBLE CONDUIT GLAND



HSN : 39174000



SR. NO.	PRODUCT CODE	SIZE	STANDARD PACK	
		OD (mm)	Pc./Box	Pc./Carton
641	PFAG 16	16	125	2250
642	PFAG 20	20	75	1350
643	PFAG 25	25	50	900
644	PFAG 32	32	30	540
645	PFAG 40	40	20	360
646	PFAG 50	50	5	150



## GALVANIZED STEEL FLEXIBLE CONDUIT PIPES

HSN : 83071000



SR. NO.	PRODUCT CODE	NORMAL SIZE (mm)	NORMAL SIZE (Inch)	STANDARD PACK	
				Mtr./Coil	Mtr./Bag
662	PGIFC 16	16	1/2"	15	210
663	PGIFC 20	20	3/4"	15	150
664	PGIFC 25	25	1"	15	105
665	PGIFC 32	32	1 1/4"	15	75
666	PGIFC 40	40	1 1/2"	15	75
667	PGIFC 50	50	2"	10	50

## STEEL WIRE REINFORCED FLEXIBLE UPVC CONDUIT PIPE



HSN : 39172190



SR. NO.	PRODUCT CODE	SIZE	STANDARD PACK	
		ID (mm)	Mtr./Coil	Mtr./Bag
647	PCWR 10	10	30	300
648	PCWR 16	16	30	300
649	PCWR 20	20	30	240
650	PCWR 25	25	30	210
651	PCWR 30	30	30	150
652	PCWR 40	40	30	120
653	PCWR 50	50	30	90
654	PCWR 60	60	15	75



## GALVANIZED STEEL FLEXIBLE CONDUIT WITH PVC COATING

HSN : 83071000



SR. NO.	PRODUCT CODE	NORMAL SIZE (mm)	NORMAL SIZE (Inch)	STANDARD PACK	
				Mtr./Coil	Mtr./Bag
668	PGIFCP 16	16	1/2"	50	250
669	PGIFCP 20	20	3/4"	25	150
670	PGIFCP 25	25	1"	25	125
671	PGIFCP 32	32	1 1/4"	15	75
672	PGIFCP 40	40	1 1/2"	15	75
673	PGIFCP 50	50	2"	15	60

## STEEL WIRE REINFORCED FLEXIBLE UPVC CONDUIT GLAND



HSN : 39174000



SR. NO.	PRODUCT CODE	SIZE	STANDARD PACK	
		OD (mm)	Pc./Box	Pc./Carton
655	PFRG 10	10	75	1350
656	PFRG 16	16	60	1080
657	PFRG 20	20	45	810
658	PFRG 25	25	30	540
659	PFRG 30	30	20	360
660	PFRG 40	40	15	270
661	PFRG 50	50	5	150



**SAFETY  
MEIN  
SAMJHOTA  
NAHIN.**

## MATERIAL DATA

Specific Gravity	:	1.40 - 1.46
Impact Resistance	:	High impact resistance. The material is formulated to comply with -5°C to +60°C as per IS 9537-Part 3 and IS 14927-Part 2 Cable Trunking Standards.
Tensile Strength	:	450/565 kg/cm <sup>2</sup>
Chemical Resistance	:	The material is virtually unaffected by inorganic acid, alkalis and salt.
Coefficient of linear Expansion	:	7x10/m/deg.C
Water Absorption	:	Negligible
Flammability	:	IS 9537-Part 3, IS 3419:1988, IS 14927-Part 2, BS 4607 and BS EN 61386-21
Vicat. Softening point (Pipe & Trunking)	:	80°C at 5 kg Load
Vicat. Softening point (Moulded Fittings)	:	76°C
Oxygen Index	:	40%
Electric Strength	:	To the requirement of IS 9537-Part 3, IS 3419:1988, IS 14927-Part 2, BS 4607 and BS EN 61386-21
Insulation Resistance	:	To the requirements of IS 9537-Part 3, IS 3419:1988, IS 14927-Part2, BS 4607 and BS EN 61386-21
Operating Temperature	:	-5°C to +60°C

## STANDARDS

Conduit	:	IS 9537-Part 3, BS EN 61386-21
Conduit Fittings	:	IS 3419:1988 with latest amendment, BS 4607
Trunking	:	IS 14927-Part 2, BS EN 50085-2-1:2006

## QUALITY CONFIRMATION



## LOW VOLTAGE DIRECTIVE



Precision products that comes within the scope of Low Voltage Directive (LVC) 2006/95/EC, RoHS Directive 2002/95/EC will be CE marked on their product or packaging that they meet the necessary requirements of the directive.

## CONDUIT AND TRUNKING

The following notes are intended to be a guide to the installation of Precision Conduit, Trunking and Fitting. To ensure safety in installation, commissioning and maintenance, work should be undertaken by competent personnel and in accordance with relevant codes of practice and statutory requirements. Information on installation can be found in:

- Regulations, Indian standards specifications and code of practice.
- Regulation for electrical equipment of buildings (IEE publication).

### CONDUIT

#### Choice of Conduit

The choice depends on the type of work being undertaken and the specification, Heavy Mechanical Stress (HMS) and Medium Mechanical Stress (MMS) Round Conduits are normally used in casting in situ and surface work. Light Mechanical Stress (LMS) Conduit is suitable for concealed work in drops and in screeds & surface. Trunking Profile are generally used as a method of installing cables in domestic / commercial for surface work and installation beneath plaster.

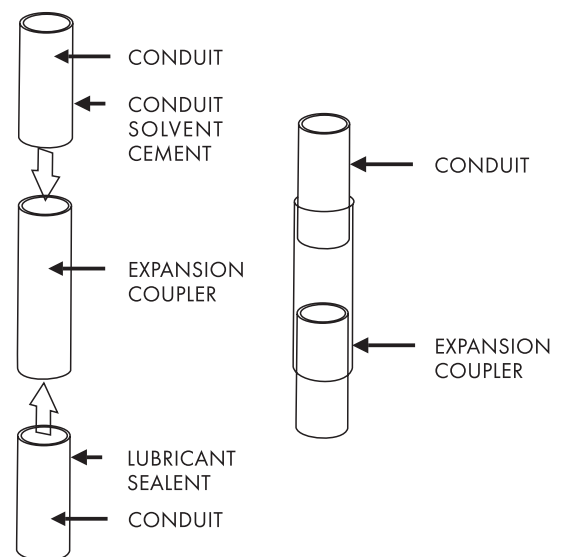
#### Surface Installation

All horizontal runs of conduit should be secured at a maximum distance of 0.9 meter and vertical runs should be secured at a maximum of 1.2 meter. For high ambient temperatures or where rapid changes in temperature are likely to be encountered the distance should be reduced. At fittings or where directional changes takes place the conduit should be fastened approximately 150 mm either side to maintain support. The fastening should not be over tightened to permit thermal movement of the conduit.

#### Joint and Couplers

To accommodate for thermal movement due to temperature change on surface installations, it is recommended that expansion couplers be used at a maximum distance of 6 meters intervals. Where high ambient temperature or frequent variation in temperature is likely to occur this distance should be reduced. Expansion couplers are installed with the short side coated with solvent cement and coupler pushed firmly over the conduit down to nib. The slip side coated with silicon grease receives the conduit to a midpoint to the nib. This will then permit for expansion or contraction providing the conduit is free to move in the saddle.

Conduit fittings are installed in the system using solvent cement for permanent installation and silicon grease where installation is subject to frequent changes.



## Jointing

PVC solvent cement is the recommended method of joining conduit into fitting like couplings, adaptors, bends and boxes. Precision solvent cement is especially formulated for watertight permanent joint.

### **BONDING INSTRUCTIONS**

Conduits and Fittings to be bonded must be clean, dry and free from oil moisture, dirt and grease.

- Cut the pipe, remove burr from the both inside and outside of the pipe with knife, file or reamer.
- Apply an even layer of cement to the pipe and fitting.
- Immediately push the pipe into the fitting together to the full depth without twisting. Hold in place for 30 seconds and clean off excess cement.

## Bending

Bending of conduit up to 25 mm in diameter can be carried out using correct size and gauge of bending spring. It should be noted that Heavy gauge spring is plated gold colour for heavy conduit. Medium gauge spring is plated silver colour for medium conduit and Light gauge spring is plated black colour for light conduit. Make sure they are not damaged in any way, as this can cause the conduit to kink and fracture making removal of spring difficult.

## Cold Bending

To bend the conduit, insert the spring to the desired position, grip the conduit on either side of the bend and bring slowly together to form the bend. The bend should be made more acute than necessary because of tendency of the PVC to recover after bending. Pull the spring gently. Do not pull too hard otherwise damage to the spring may occur. The conduit should then be fastened into position to prevent further recovering.

## Hot Bending

For conduit sizes over 25 mm diameter, hot bending is required, with the same procedure as cold bending; but with the application of gentle heat just prior to bending with care being taken to avoid the direct application of flame to the conduit. When the conduit is in pliable state, slowly bend around a suitable former, holding the position for about one minute until set.

If the conduit is bent too fast or, particularly in the case of light conduit, there is a risk of damage to both the conduit and spring. Similarly once the bend has been made it should not be forced backwards, but be allowed to recover naturally.

## Earthing

The properties of PVC make it an all insulated system and the use of separate earth cable is essential which greatly reduces the risk of poor earth continuity that can result from any breakdown of joint, which may occur in a steel system.

## DIMENSIONS OF ROUND CONDUIT uPVC PIPES IS 9537-PART 3

Nominal Size (mm)	Outside Diameter (mm)	Tolerance on Outside Diameter (mm)	Inside Diameter (Min.) (mm)		
			Light	Medium	Heavy
20	20	-0.3	17.4	16.9	15.8
25	25	-0.4	22.1	21.4	20.6
32	32	-0.4	28.6	27.8	26.6
40	40	-0.4	35.8	35.4	34.4
50	50	-0.5	45.1	44.3	43.2
63	63	-0.6	57.0	-	-
#SPECIAL SIZES					
19	19	-0.3	16.5	16.0	15.1

## DIMENSIONS OF G.I. & M.S. CONDUIT PIPES

NORMAL SIZE	OUTSIDE DIAMETER	TOLERANCE OD	WALL THICKNESS	WALL THICKNESS TOLERANCE
MM	MM	MM	MM	MM
20	20	0, -0.3	1.60	±0.2
25	25	0, -0.4	1.60	±0.2
32	32	0, -0.4	1.60	±0.2
40	40	0, -0.4	2.00	+0.2, -0.4
50	50	0, -0.5	2.00	+0.2, -0.4

## DIMENSIONS OF CORRUGATED FLEXIBLE CONDUITS

Nominal Diameter (mm)	Maximum Outside Diameter (mm)	Tolerance on Outside Diameter (mm)	Minimum Inside Diameter (mm)
10	10	- 0.1	7.0
16	16	- 0.3	10.7
20	20	- 0.3	14.1
25	25	- 0.4	18.3
32	32	- 0.4	24.3
40	40	- 0.4	31.2
50	50	- 0.5	39.6
63	63	- 0.6	52.6

## DIMENSIONS OF GALVANIZED STEEL FLEXIBLE CONDUIT PIPES

Nominal Size (mm)	Nominal Size (inch)	OD (mm)	ID (mm)	BENDING radius/mm
16	1/2"	15.5	12.5	40
20	3/4"	22.5	19.5	55
25	1"	28	25.0	60
32	1 1/4"	35.0	32.0	70
40	1 1/2"	42.0	38.0	80
50	2"	54.0	50.0	90

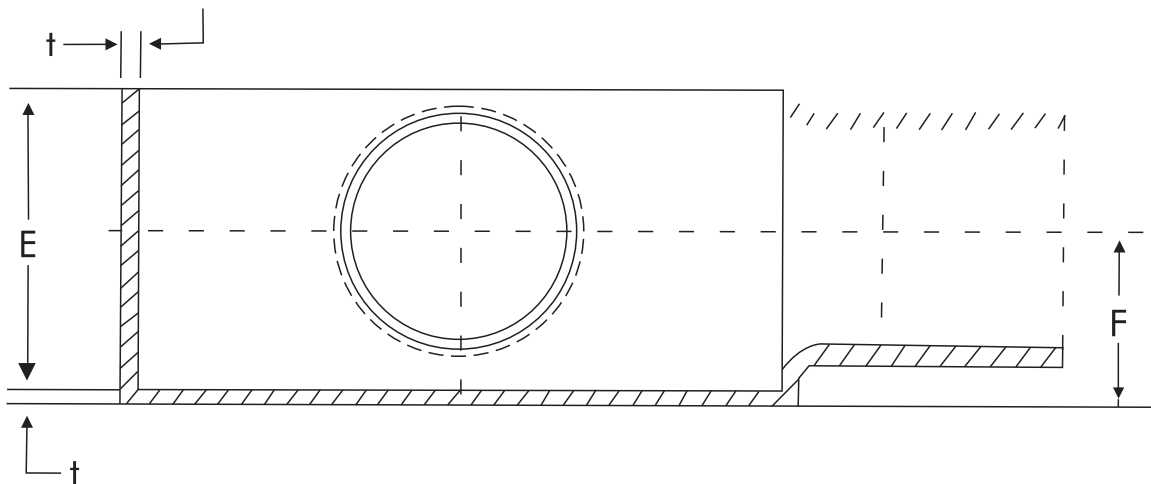
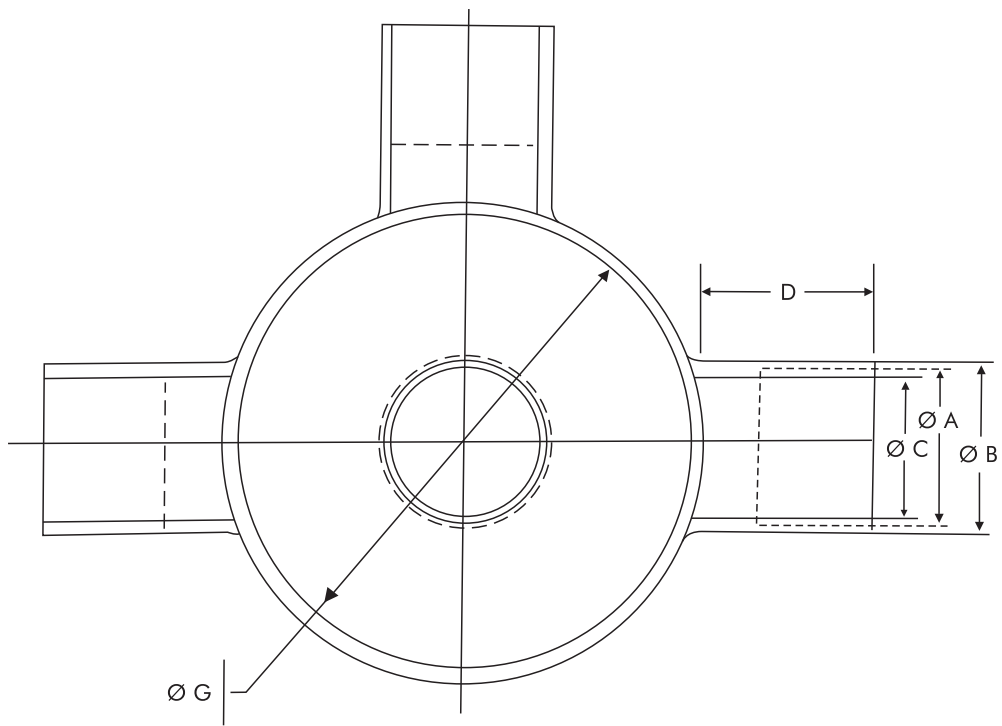
\*Tolerance: Size below 50mm, +/- 1mm & above 50mm +/- 3mm

## DIMENSIONS OF GALVANIZED STEEL FLEXIBLE CONDUIT PIPES WITH PVC COATING

Nominal Size (mm)	Nominal Size (inch)	OD (mm)	ID (mm)	BENDING radius/mm
16	1/2"	16.5	12.5	40
20	3/4"	23.5	19.5	55
25	1"	29	25.0	60
32	1 1/4"	36.5	32.0	70
40	1 1/2"	44.0	38.0	80
50	2"	57.0	51.0	90

\*Tolerance: Size below 50mm, +/- 1mm & above 50mm +/- 3mm

**SPOUT TYPE - CIRCULAR JUNCTION BOXES**  
**IS 3419:1988**



**NOMINAL OUTSIDE DIAMETER OF CONDUIT**

A	B MIN	C	D MIN	E MIN	F MAX	F MIN	G	T MIN
(1)	(2)	(3)	(4)	(5)	(6)	(7)	(8)	(9)
20	23.0	17.00 + 0.25	20.0	25	14.5	13.5	60 + 1.5	1.6
25	29.5	22.75 + 0.25	23.0	28	17.5	16.5	60 + 1.5	1.6

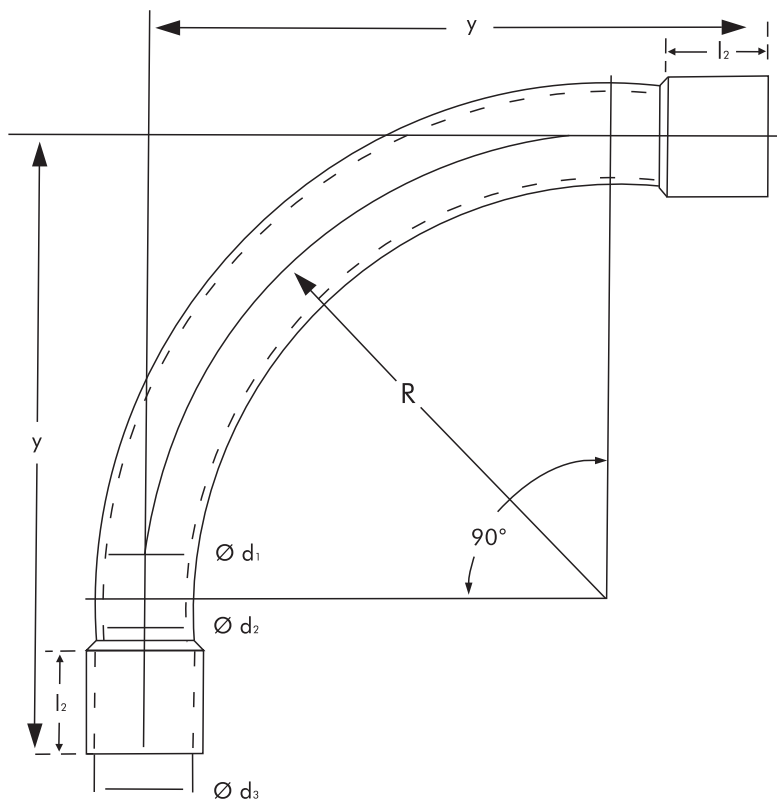


## DEEP CIRCULAR JUNCTION BOX NOMINAL OUTSIDE DIAMETER OF CONDUIT

A	B MIN	C	D MIN	E MIN	F MAX	F MIN	G	T MIN
(1)	(2)	(3)	(4)	(5)	(6)	(7)	(8)	(9)
20	23.0	17.00 + 0.25	20.0	62.60 + 0.2	14.5	13.5	60 + 1.5	1.6
25	29.5	22.75 + 0.25	23.0	62.60 + 0.2	17.5	16.5	60 + 1.5	1.6
32	35.5	29.5 + 0.5	24.0	62.60 + 0.2	19.5	18.5	60 + 1.5	1.6

### SLIP TYPE COUPLING BENDS

All dimensions in millimeters.



Nominal Size	Outside Diameter of Bend d1	Minimum Inside Diameter of Bend d2	Inside Diameter of Collar d3	R	Y	L
(1)	(2)	(3)	(4)	(5)	(6)	(7)
20	20 - 0.3	16.9	20.1 + 0.2	65	115	35
25	25 - 0.3	21.3	25.1 + 0.3	90	160	35
32	32 - 0.3	27.9	32.1 + 0.3	125	215	45
40	40 - 0.3	35.5	40.1 + 0.4	160	260	45
50	50 - 0.3	44.7	50.1 + 0.4	210	310	55

## MINI/MAXI TRUNKING PROFILE

Precision Trunking Profile system is designed to give improved appearance and security to surface cables with its wide range of Trunking sizes and fittings offers an efficient and economical solution to cable management. Trunking Profile consists of base and clip on lid which is fitted to the base by pressing it along its front face. The lid can be easily removed by lifting it from the base at one end and peeling it away. The lid has an easy closing mechanism, which is designed to give a securely closed installation, yet is easily accessible for maintenance or modification.

### Mounting

Drill oversize holes on base of Trunking Profile to mechanically fix to the desired surface using flat head screws with washers. Fixing center should not be more than 400 mm apart, or more than 150 mm away from the end of the straight run.

### Joints

At each joint 3 mm should be left for expansion. A fine toothed tension saw and mitre block should be used to cut the Trunking to provide a neat installation. Internal bends must be mitred to ensure total enclosure of Trunking Profile. External bends should be cut square with the corner and at angles and tees, cut the side wall of Trunking Profile for the cable entry. None of the cutting is critical as the clip on fittings have a built-in overlap for the lid and sidewalls.

## CONDUIT AND TRUNKING CABLE CAPACITIES

Single-core PVC - insulated cables in straight runs of conduit not exceeding 3 meters in length.

For each cable it is intended to use, obtain the appropriate factor from Table 1A.

Add all the cable factors so obtained and compare with the conduit factors given in Table 1 B.

The conduit size which will satisfactorily accommodate the cables in that size having a factor equal to or exceeding the sum of the cable factors.

Single-core PVC - Insulated cables In straight runs of conduit exceeding 3 meters in length, or in runs of any length incorporating bends or sets.

For each cable it is intended to use, obtain the appropriate factor from Table 1C.

Add all the cable factors so obtained and compare with the conduit factors given in Table 1D, taking into account the length of the run it is intended to use and the number of bends and sets in that run.

The Conduit size which will satisfactorily accommodate the cables is that size having a factor equal to or exceeding the sum of the cable factors.

**TABLE 1A**  
Cable factors for short straight runs

Type of Conductor	Conductor Cross Sectional Area (mm)	Factor
Soild	1.0	22
	1.5	27
	2.5	39
Stranded	1.5	31
	2.5	43
	4.0	58
	6.0	88
	10.0	146

**TABLE 1B**  
Cable factors for short straight runs

Conduit Dia (mm)	Factor
20	460
25	800
32	1400

**TABLE 1C**  
Cable factors for short straight runs or runs incorporative bends

Type of Conductor	Conductor Cross Sectional Area (mm)	Factor
Soild or Stranded	1.0	16
	1.5	22
	2.5	30
	4.0	43
	6.0	58
	10.0	105

**TABLE 1D**  
Conduit factors for runs incorporating bends

Length of run (mtr)	20	25	32	20	25	32	20	25	32	20	25	32	20	25	32
	Straight			One bends			Two bends			Three bends			Four bends		
1.0	<b>Covered by Tables 1A and 1B</b>			303	543	947	286	514	900	256	463	818	213	388	692
1.5				294	528	923	270	487	857	233	422	750	182	333	600
2.0				286	514	900	126	463	818	213	388	692	159	292	529
2.5				278	500	878	244	442	783	196	358	643	141	260	474
3.0				270	487	857	233	422	750	182	333	600	-	-	-
3.5	290	521	911	263	475	837	222	404	720	163	311	563	-	-	-
4.0	286	514	900	256	463	818	213	388	692	159	292	529	-	-	-
4.5	282	507	889	250	452	800	204	373	667	149	260	474	-	-	-
5.0	278	500	878	244	442	783	196	358	643	141	260	474	-	-	-
6.0	270	487	857	233	422	750	182	333	600	-	-	-	-	-	-
7.0	263	475	837	222	404	720	169	311	563	-	-	-	-	-	-
8.0	256	463	818	213	388	692	159	292	529	-	-	-	-	-	-
9.0	250	452	800	204	373	667	149	275	500	-	-	-	-	-	-
10.0	244	442	783	196	358	643	141	260	474	-	-	-	-	-	-

The content of all the technical information are for guidance only, if you have a query as to the interpretation of the information contained therein, please refer to the standard itself or contact Precision Plastic Industries Pvt. Ltd. In accordance with our policy of continual improvement, Precision Plastic Industries Pvt. Ltd. reserve the right to change specifications & designs without notice.



[electrical@precisionpipes.com](mailto:electrical@precisionpipes.com)  
[www.precisionpipes.com](http://www.precisionpipes.com)

---

**We Care +91 77150 00015**

---

**PRECISION PLASTIC INDUSTRIES PVT. LTD.**

19/D, Nand Jyot Industrial Estate, Safed Pool, Andheri - Kurla Road,  
Andheri East, Mumbai 400 072, Maharashtra, India.